



SPARE PARTS MANUAL

FR1



**Before purchasing, please contact us on
01535 669604 to check correct requirements**

INDEX

P1 HANDLE BAR ASSEMBLY

P2 CHASSIS MOULDINGS

P3 FRONT CHASSIS ASSEMBLY

P4 STEERING SYSTEM

P5 REAR CHASSIS DRIVE SYSTEM ASSEMBLY

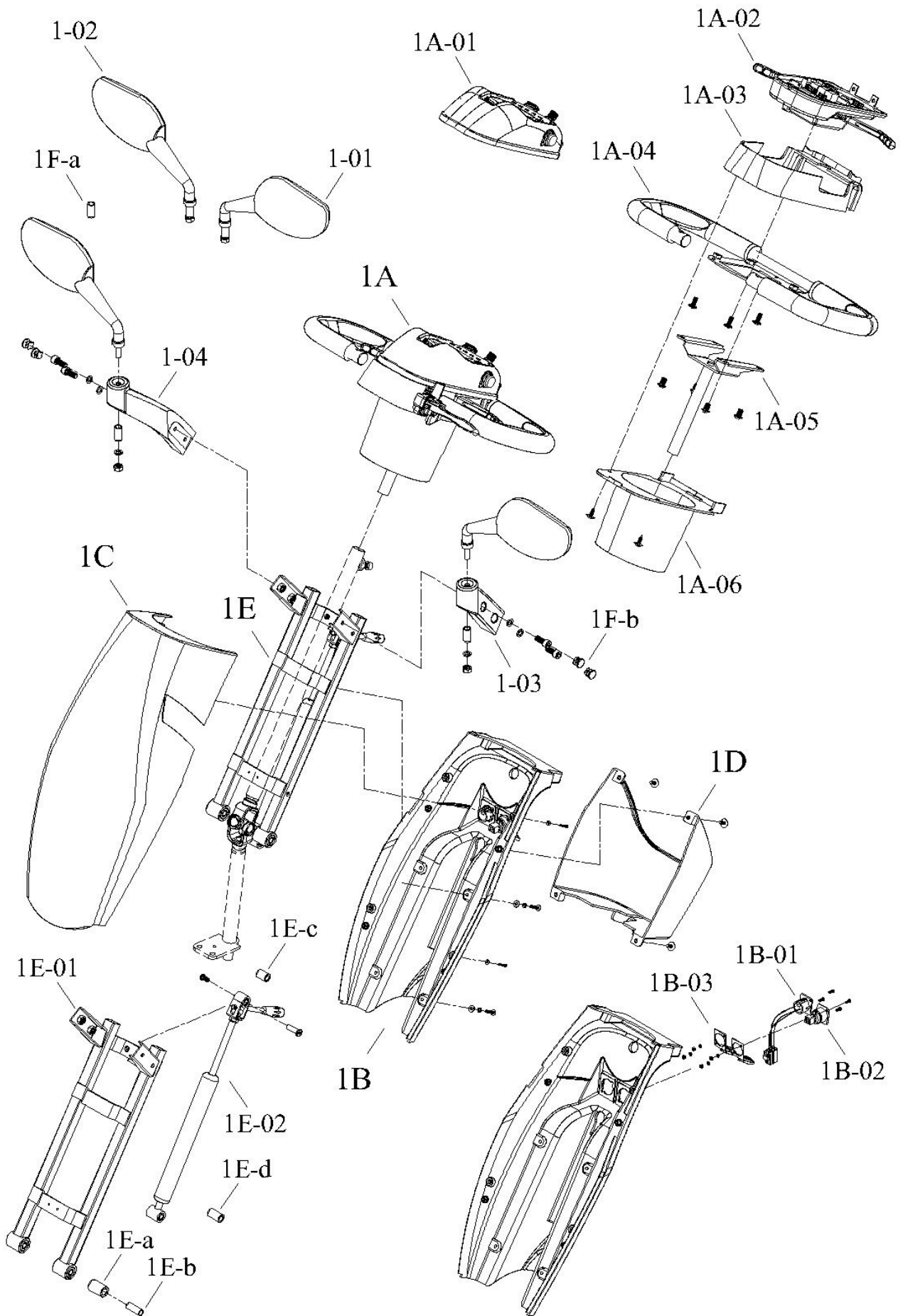
P6 HAND BRAKE ASSEMBLY

P7 SEAT ASSEMBLY

P8 CONSOLE AND WIRING SYSTEM

P9 ACCESSORY ASSEMBLY

HANDLE BAR ASSEMBLY

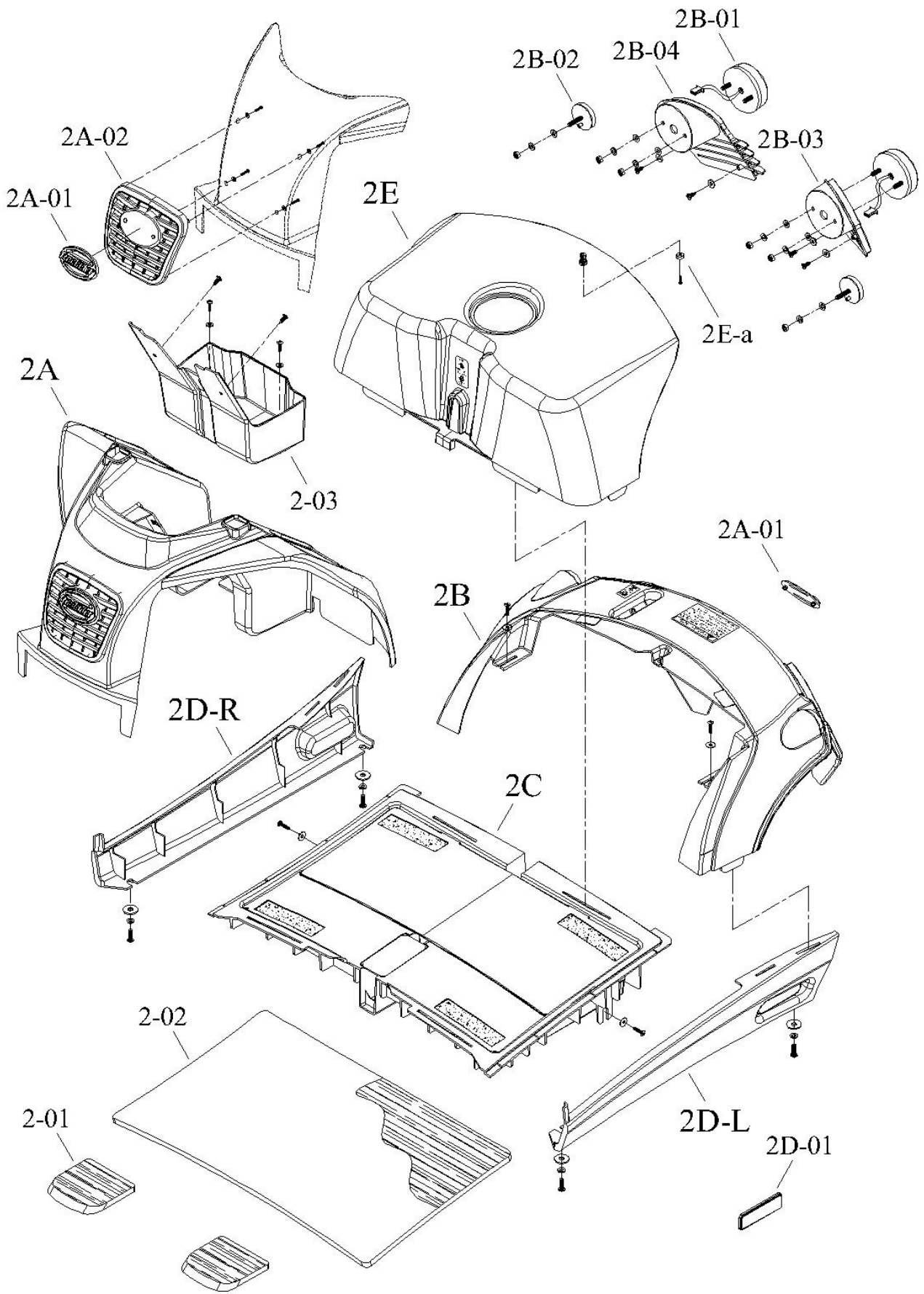


HANDLE BAR ASSEMBLY

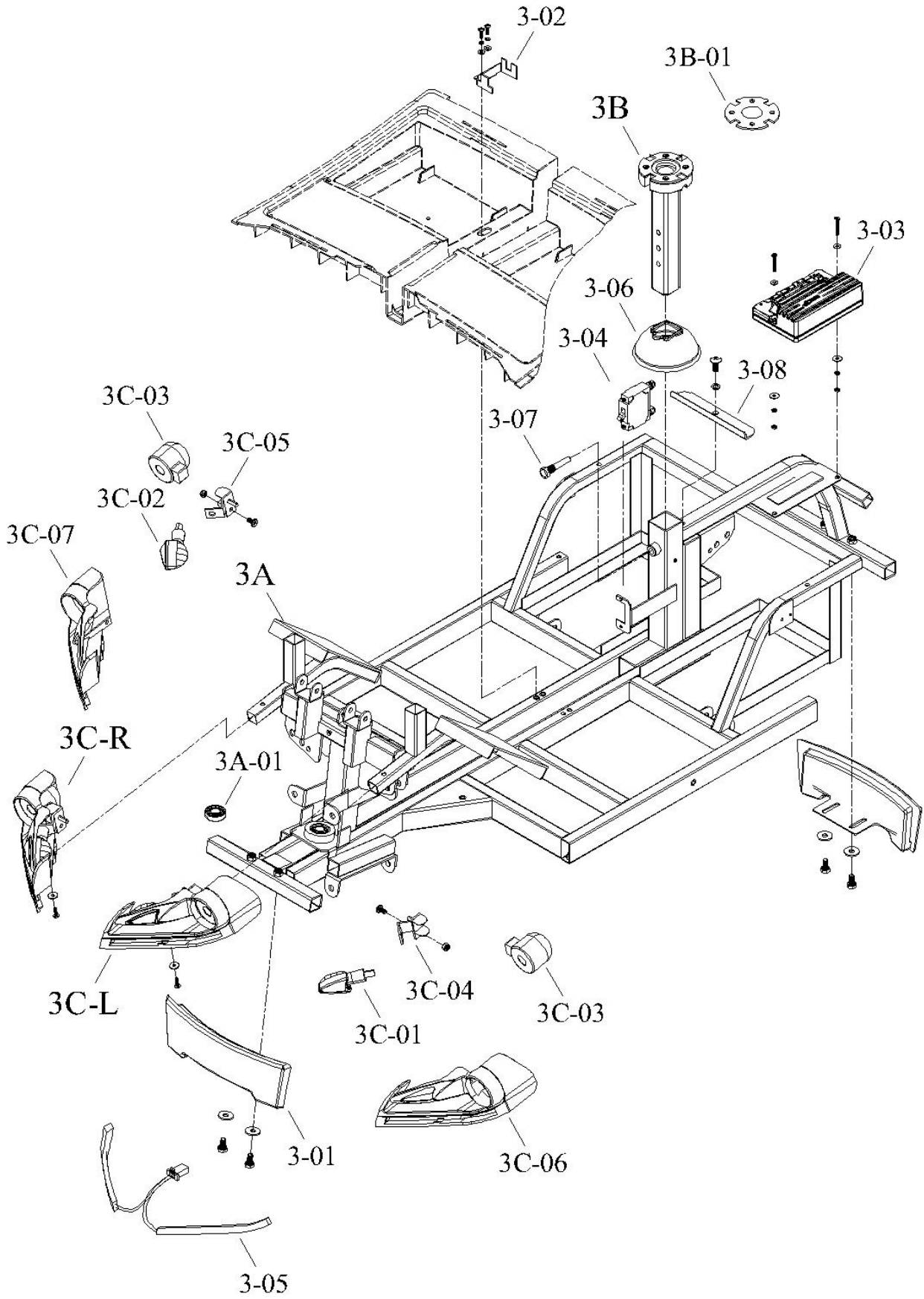
DRAWING NO.	PART NO.	PART NAME	€	GBP	USD
1A	AA01-1200-CR	Top console assembly			
1A-01	AAA1-0300-CR	Console top subassembly			
1A-02	AAA2-0210-CR	Consoles base subassembly			
1A-03	AAA3-0100-CR	Console cover subassembly			
1A-04	PM02-0516	Steering (handle bar)			
1A-05	PM02-0518	Top steering tube			
1A-06	PP01-1000	Steering black cover			
1B	AA02-1300	Handle bar rear cover			
1B-01	PAE1-0412	Charge socket assembly			
1B-02	PKE1-0909	USB power outlet assembly			
1B-03	PP06-0105	Rubber cover /USB)			
1C	AA03-1000-CR	Tiller front cover			
1D	PP02-0140	Tiller rear basket			
1E	PA00-A100	Tiller frame w / cylinder			
1E-01	PA01-B100	Tiller frame subassembly			
1E-02	PA03-A200	Cylinder			
1E-a	PM00-0107-1	Plastic inner spacer			
1E-b	PM00-0114	Plastic inner spacer			
1E-c	PM00-0128	Inner spacer $\phi 14 \times \phi 8 \times 20L$			
1E-d	PM00-0129	Inner spacer $\phi 14 \times \phi 8 \times 25.8L$			
1-01	PA90-0800-L	Left mirror			
1-02	PA90-0800-R	Right mirror			
1-03	PM04-0100-L	Left mirror bracket			
1-04	PM04-0100-R	Right mirror bracket			
1-a	PM00-0122	Inner spacer $\phi 14 \times \phi 8 \times 25.8L$			
1-b	PP91-0500	Cap			

U.K.

CHASSIS MOULDINGS



FRONT CHASSIS ASSEMBLY

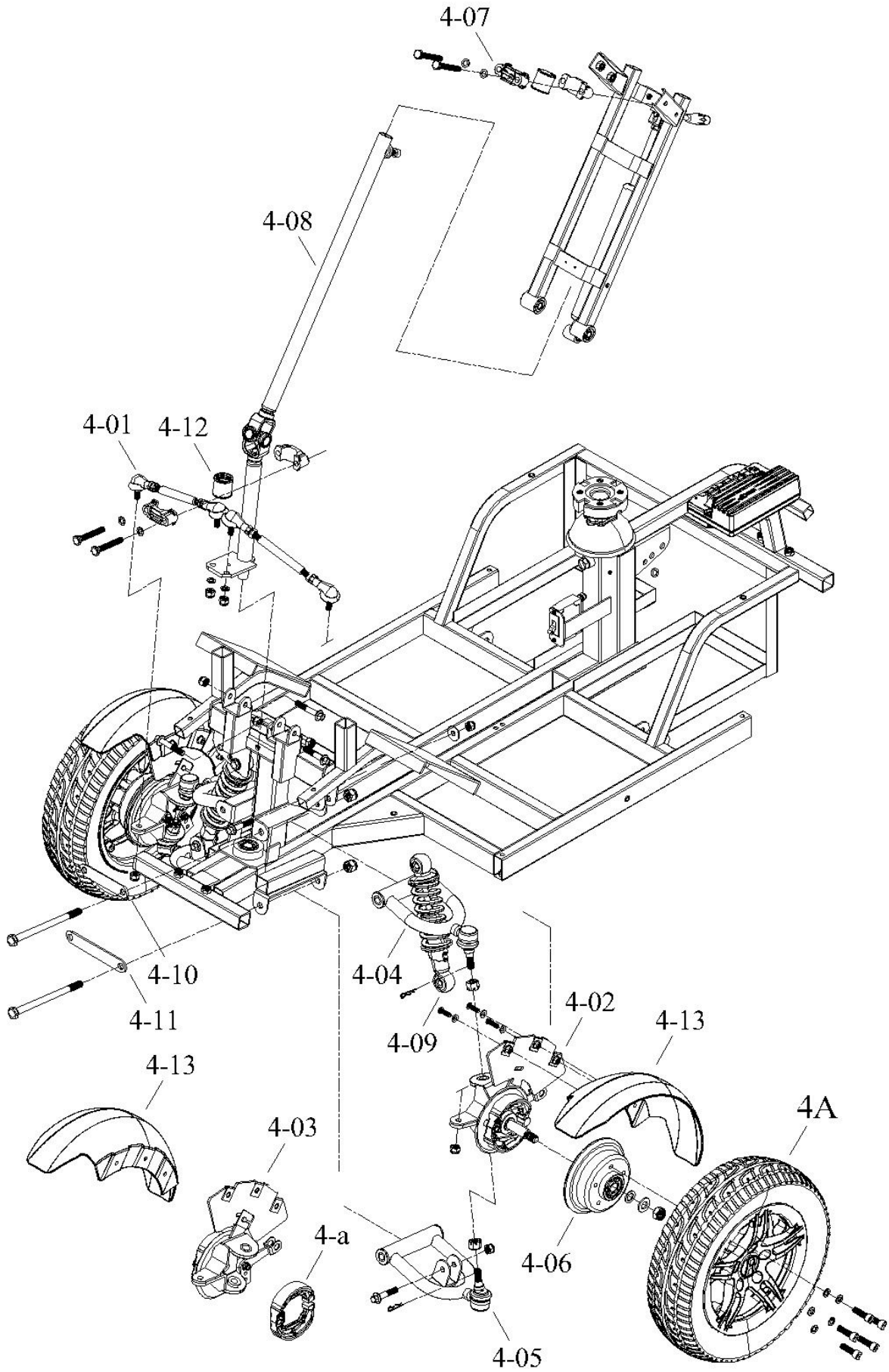


FRONT CHASSIS ASSEMBLY

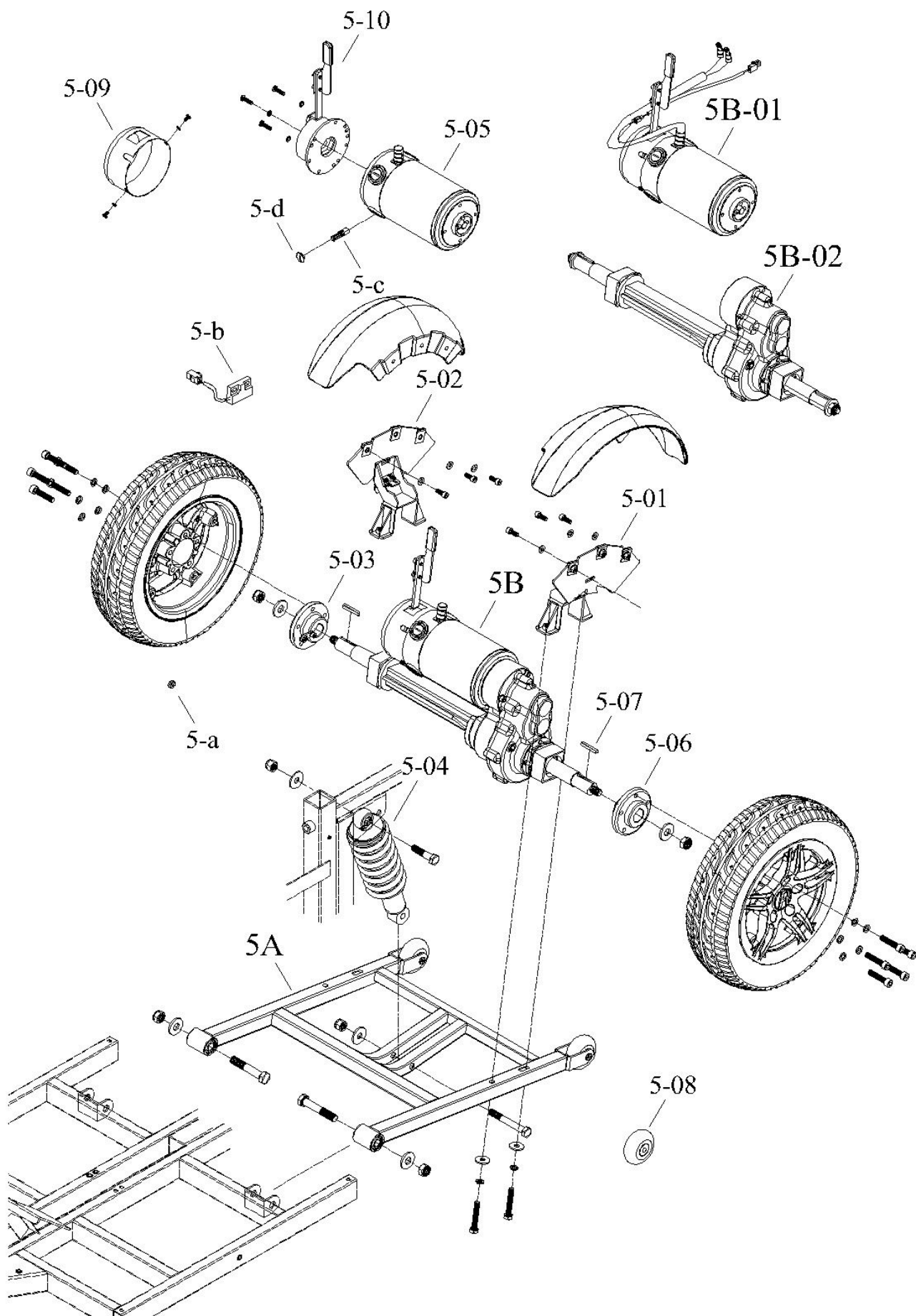
DRAWING NO.	PART NO.	PART NAME	€	GBP	USD
3A	AB06-2100	Chassis subassembly			
3A-01	PM00-0307	2RS-GR2			
3B	PA06-A702	Seat post subassembly			
3B-01	PP06-0202	Seat post plastic plate			
3C-L	PA06-A310-L	Front light left assembly			
3C-R	PA06-A310-R	Front light right assembly			
3C-01	PKE3-0306-FL	Front indicator left			
3C-02	PKE3-0306-FR	Front indicator right			
3C-03	PKE3-0111	Front light LED			
3C-04	PM06-0707-L	Front light bracket left			
3C-05	PM06-0707-R	Front light bracket right			
3C-06	PP04-1700-L	Front light cover left			
3C-07	PP04-1700-R	Front light cover right			
3-01	PM06-0215	PU bumper			
3-02	PM06-1600	Fuse bracket			
3-03	PKE2-0120	Controller 160A			
3-04	PKE2-0407	Circuit breaker 100A			
3-05	PKE3-1000	Daylight LED			
3-06	PP10-0101	Rubber cover			
3-07	PV00-0702-1	7/16×15×50L Bolt			
3-08	PM90-1101	Battery plate			

U.K.

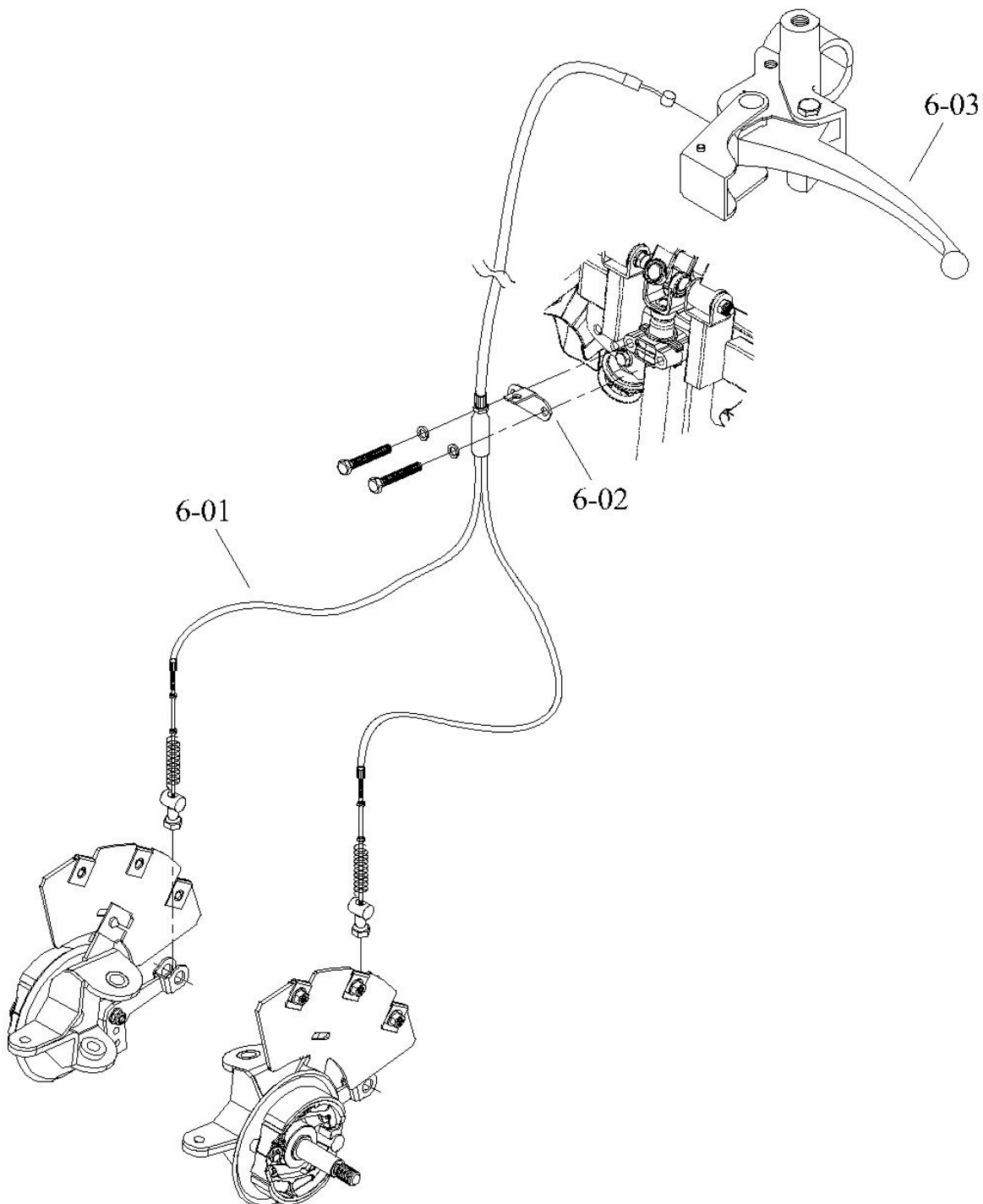
STEERING



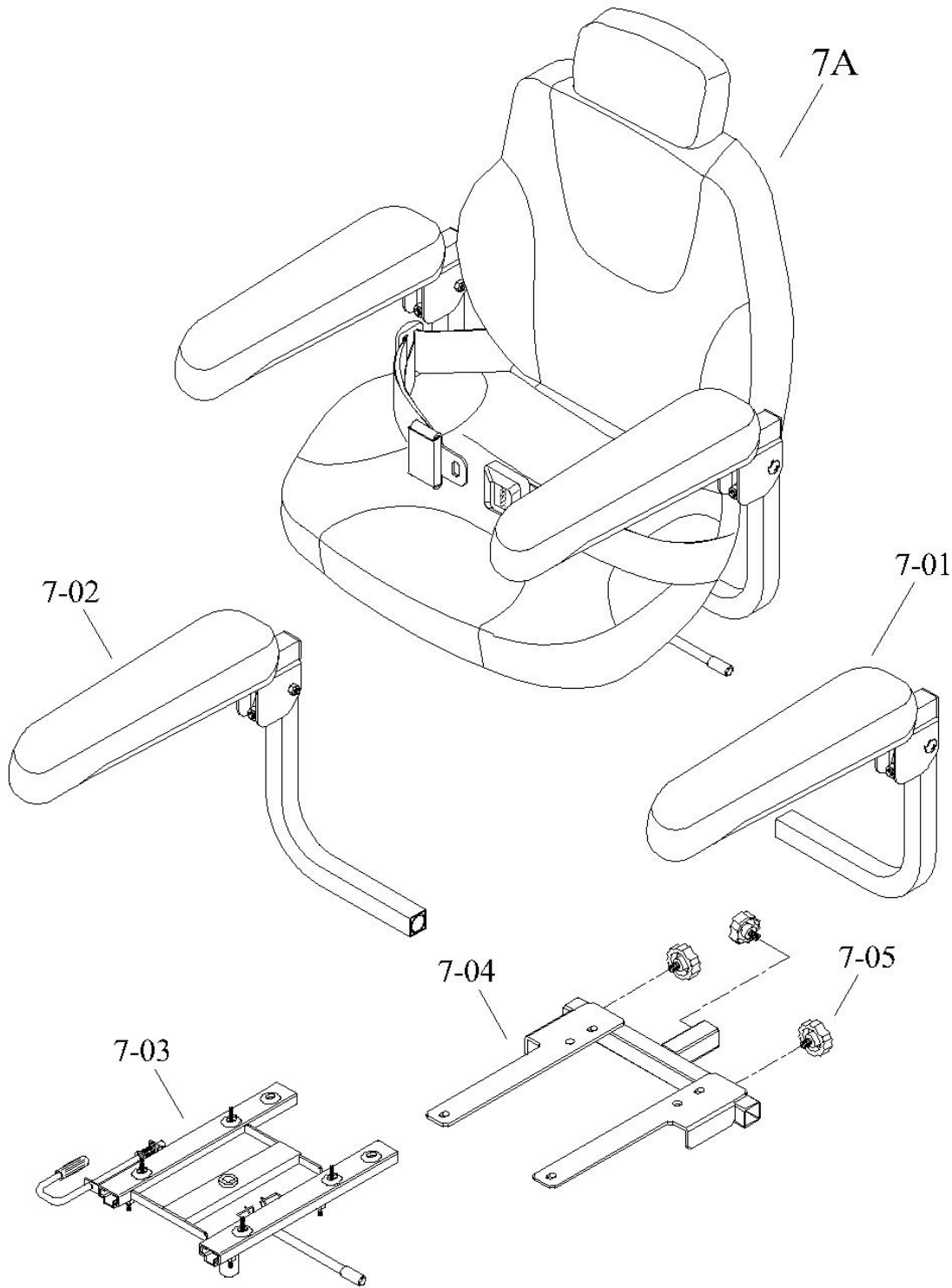
REAR CHASSIS ASSEMBLY-DRIVE SYSTEM



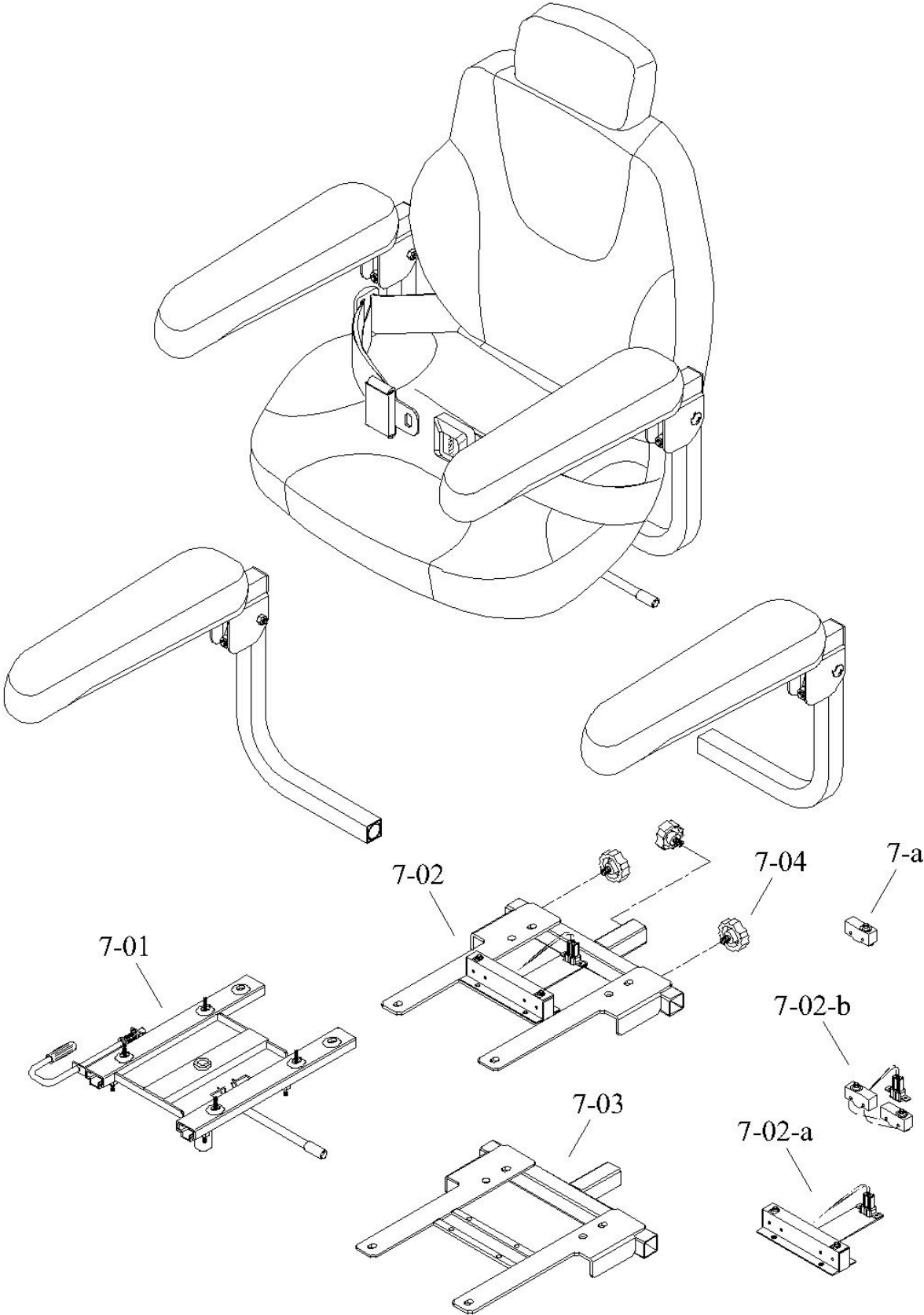
HAND BRAKE ASSEMBLY



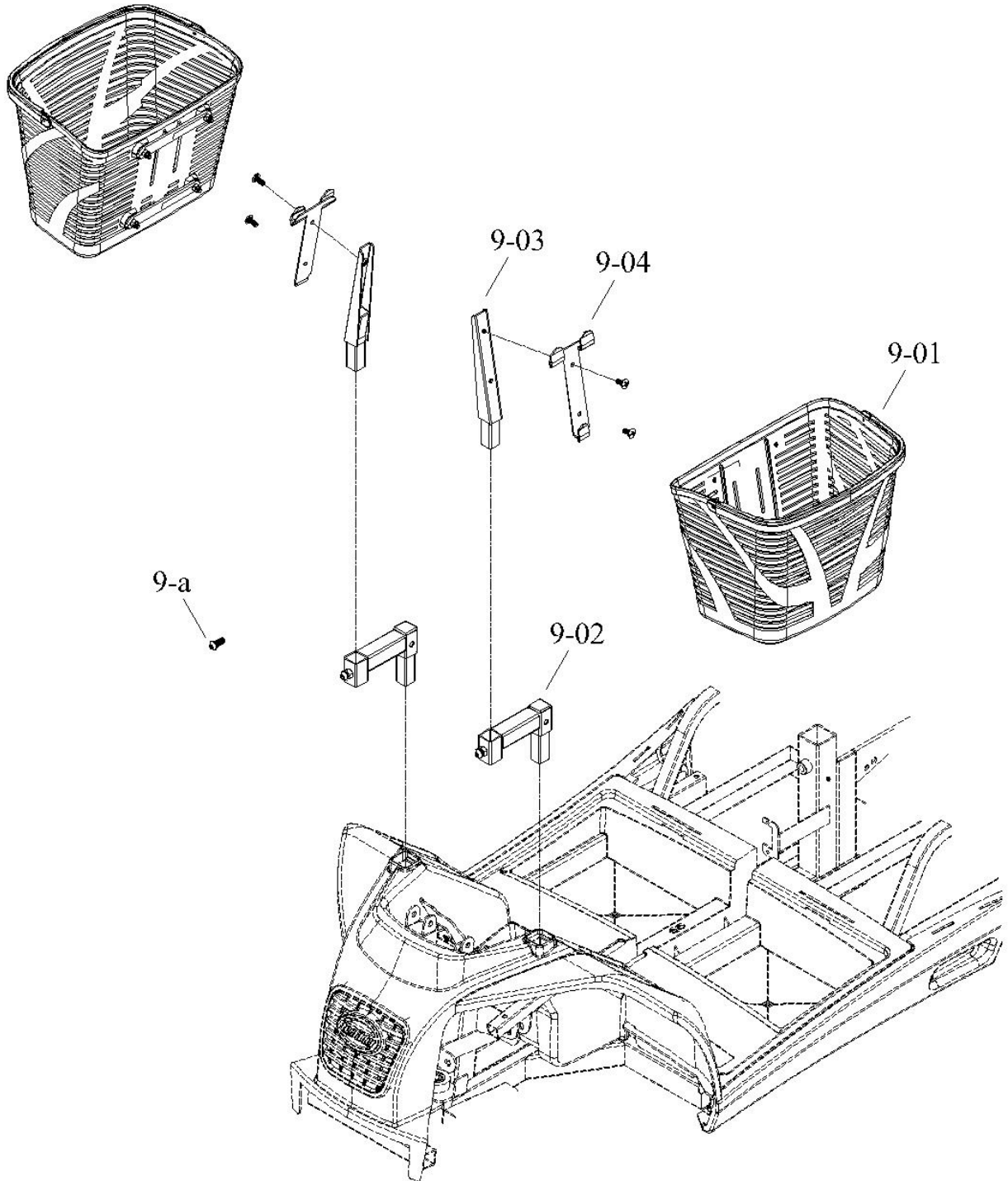
SEAT ASSEMBLY



SEAT ASSEMBLY (OPTIONS)



ACCESSORY ASSEMBLY



ACCESSORY ASSEMBLY (OPTIONS)

