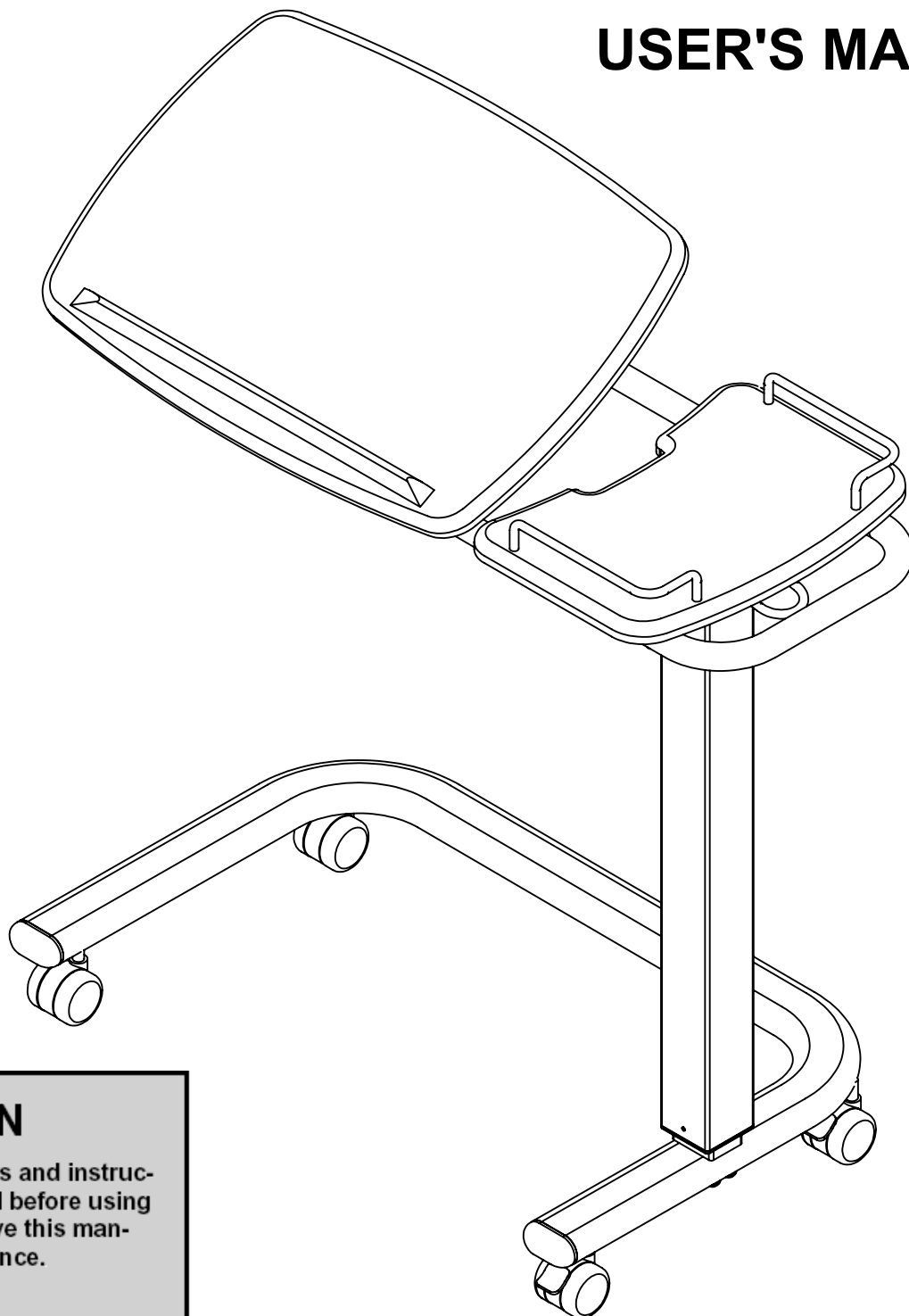




# ENT-1103C Overbed Table

## USER'S MANUAL



### CAUTION

Read all precautions and instructions in this manual before using this equipment. Save this manual for future reference.

© 2018 Enigma Care. All rights reserved.

Tel: +886-4-2693-3509 Fax: +886-4-2693-1042

No.50-5, Ln. 320, Sec. 1, Shatian Rd., Dadu Dist., Taichung City, 432 Taiwan

## **IMPORTANT PRECAUTIONS**

**WARNING:** To reduce the risk of burns, fire, electric shock, or injury to persons, read the following important precautions and information before operating the Overbed Table.

1. It is the responsibility of the owner to ensure that all users of this Overbed Table are adequately informed of all warnings and precautions.
2. Use the Overbed Table only as described in this manual.
3. Place the Overbed Table on a level surface.
4. Keep the Overbed Table indoors, away from moisture and dust. Do not put the Overbed Table in a garage or covered patio, or near water.
5. This Overbed Table utilizes a high-tension air Pneumatic cylinder loaded to raise the table. Do not remove shipping Block Pin from column assembly prior to assembly. The column assembly may cause injury.
6. Check for any obvious damage to the carton or its contents. If damage is evident, DO NOT USE. Contact carrier / distributor for further instruction.
7. Inspect and tighten all parts of the Overbed Table regularly.
8. Never insert or drop any object into any opening.
9. This Overbed Table is intended for in-home use only. Do not use this Overbed Table in any commercial, rental, or institutional setting.

**WARNING:** *Ensure that the table is assembled as described, and that all components are securely attached, before use.*

**SAVE THESE INSTRUCTIONS**

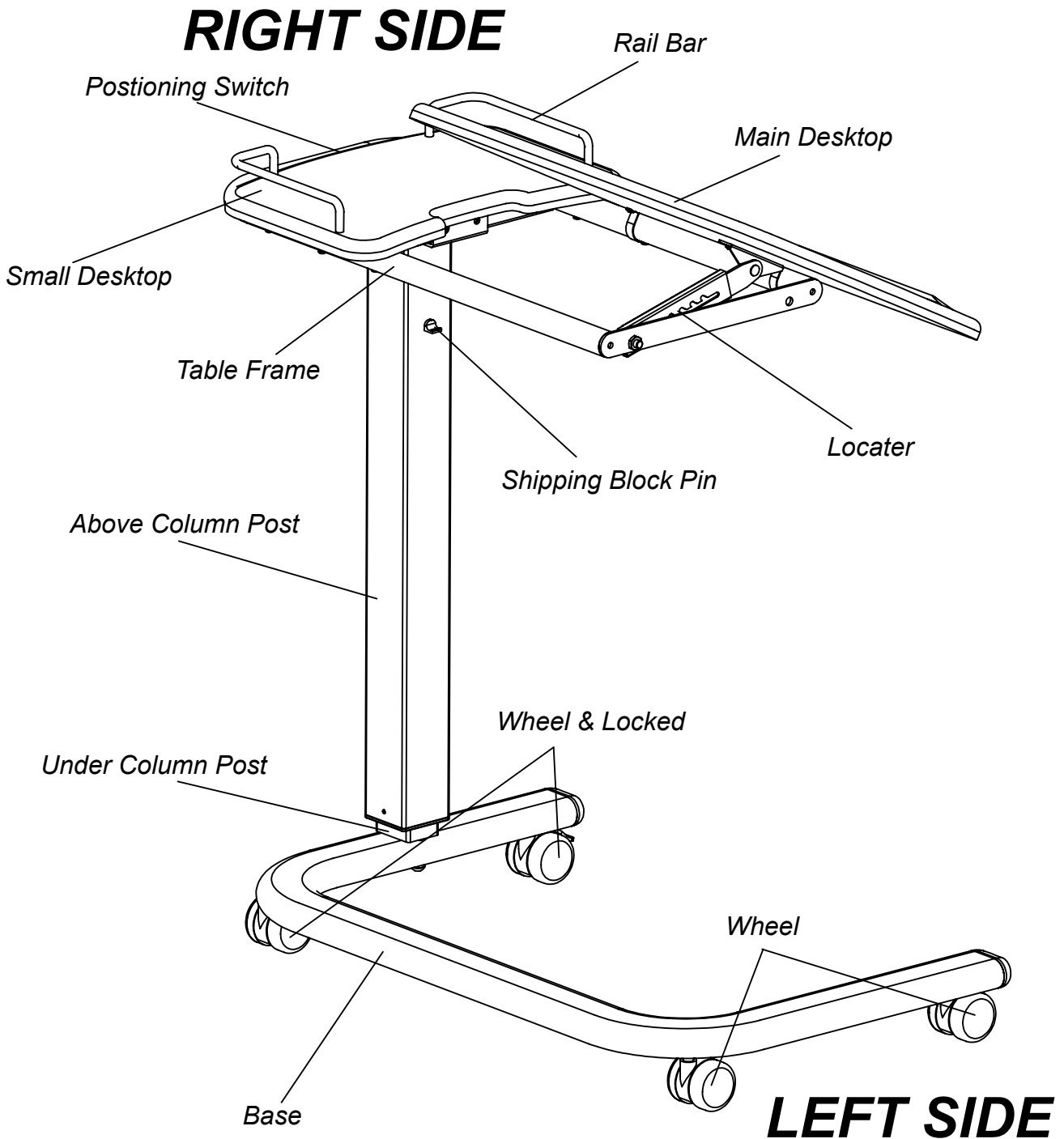
# **BEFORE YOU BEGIN**

Thank you for selecting the revolutionary **ENT-1103C**

**Overbed Table** The **ENT-1103C** offers an impressive array of features to make your home life more enjoyable and effective.

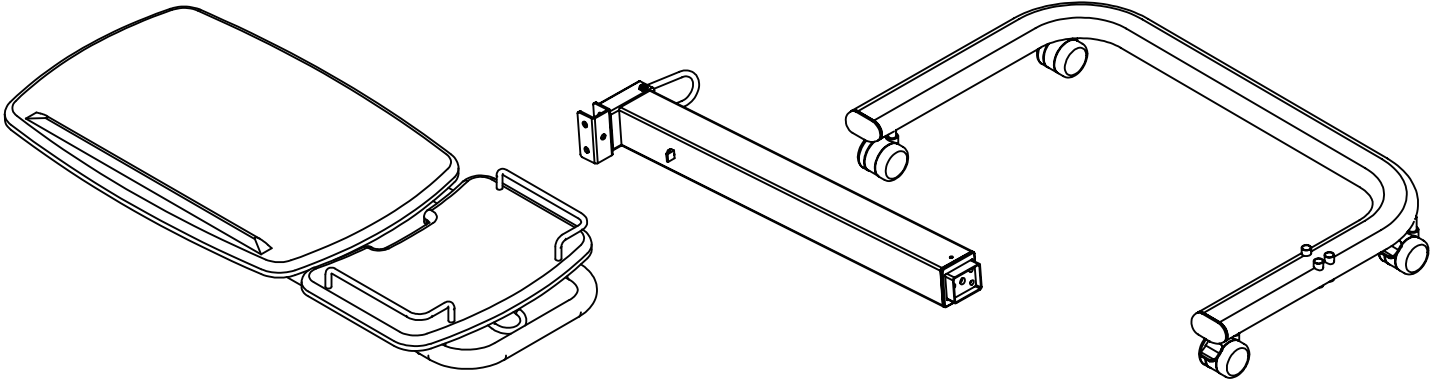
**For your benefit, read this manual carefully before using the Overbed Table** . If you have additional questions, please call our Customer Service Department To

help us assist you, please note the product model number and serial number before calling. The model number of the **Overbed Table** is **ENT-1103C**. The serial number can be found on a decal attached to the Overbed Table. Before reading further, please familiarize yourself with the parts that are labeled in the drawing below.



# ASSEMBLY

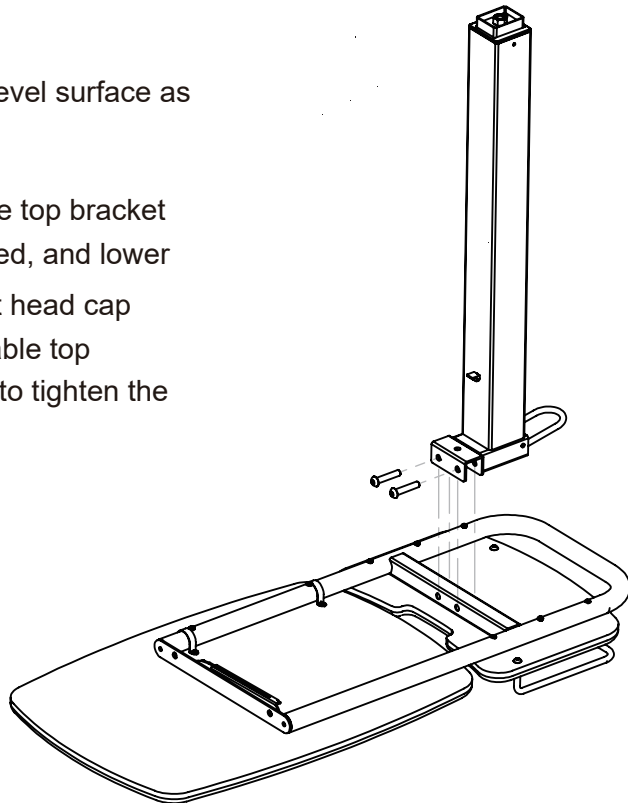
Set the Overbed Table in a cleared area and remove all packing materials. Do not dispose of the packing materials until assembly is completed.



Unpacking your **Overbed Table** where will be using it. Being careful Not to damage . Place your **Overbed Table** on a level flat surface. It is recommended that you place a protective covering on your floor.

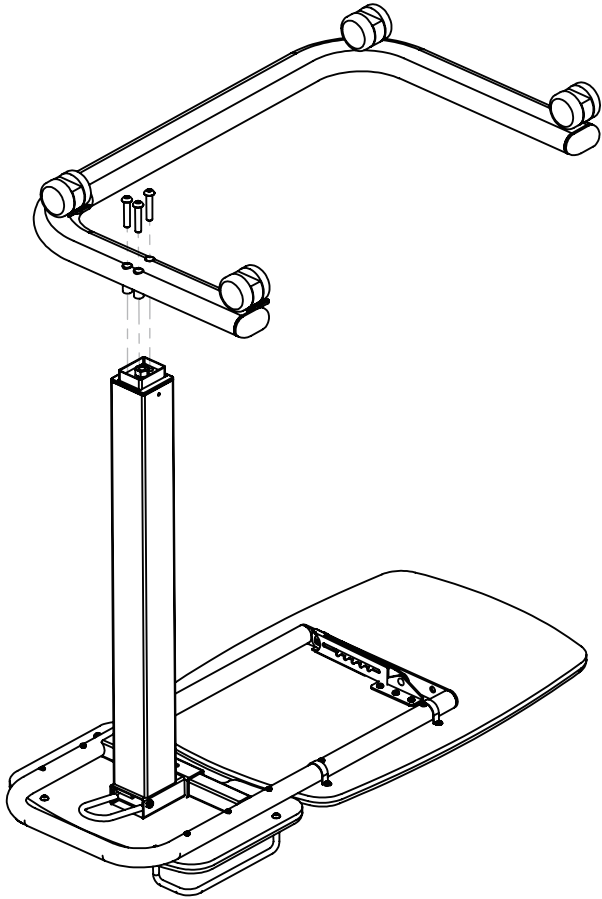
**STEP 1** Place table top upside down on a level surface as shown at right.

Position column bracket above table top bracket as shown at right, with holes matched, and lower column onto table top. Insert socket head cap bolts through column bracket into table top bracket as shown. Use M8 hex key to tighten the bolts.



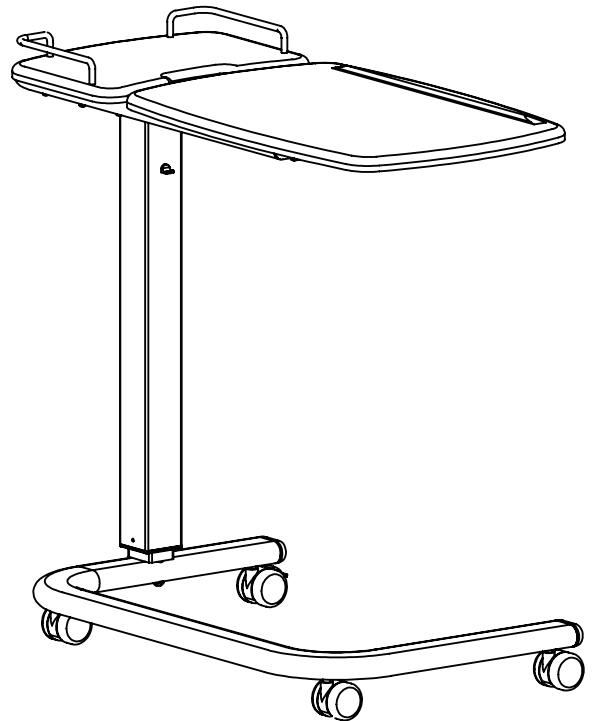
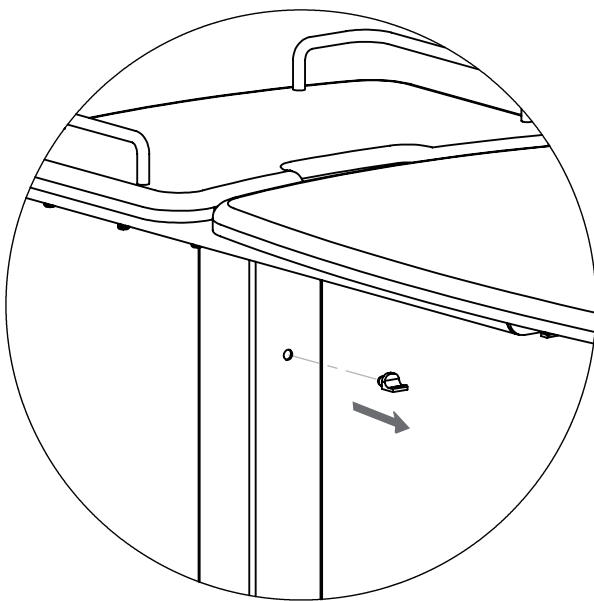
## **WARNING:**

Do not remove shipping Block Pin from column assembly prior to assembly.



**STEP 2** Place the base upside down above the column as shown at left. Install the 3 bolts through the bolt plate, base, and into column end as shown.

**STEP 3** Turn the Table UPRIGHT and place it on the floor.  
Remove shipping Block Pin from column assembly .

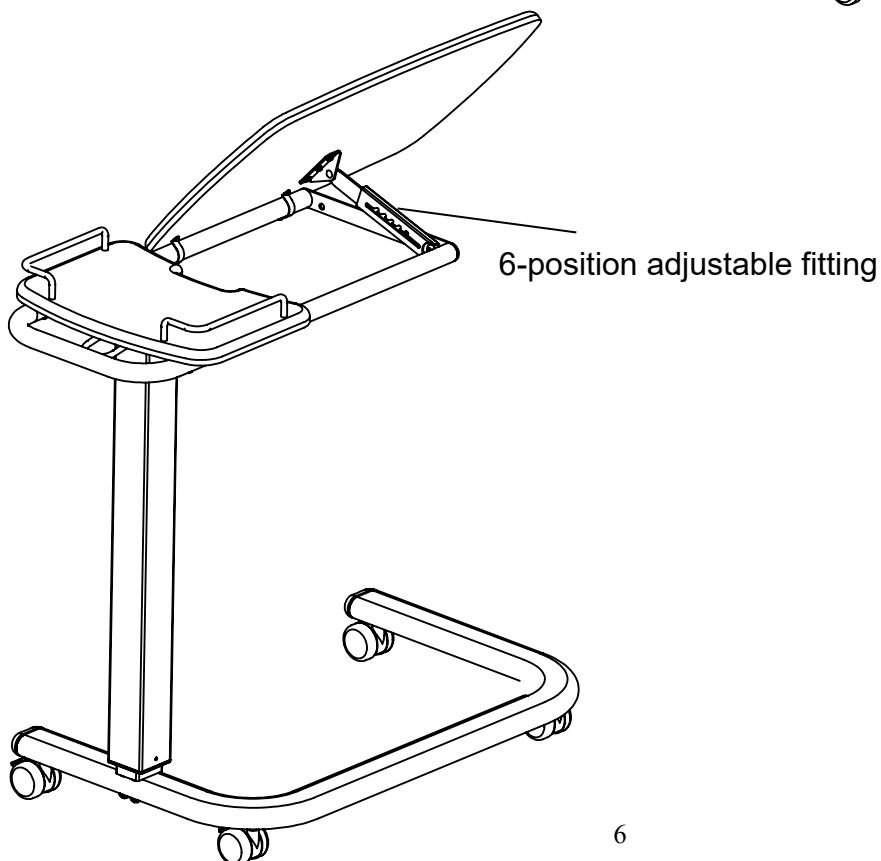
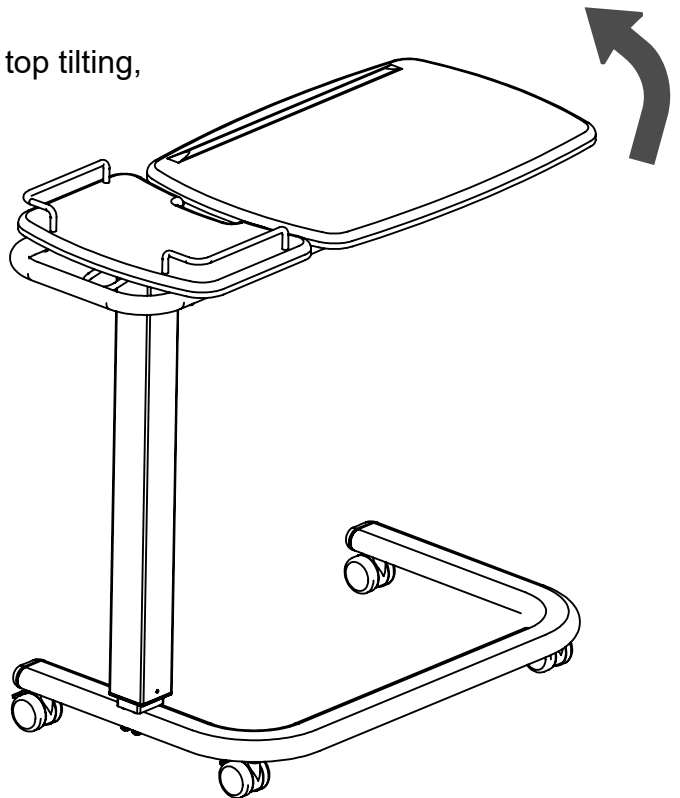


**Make sure that all parts are tightened before you use the Overbed Table.**

# Titling the Overbed Table

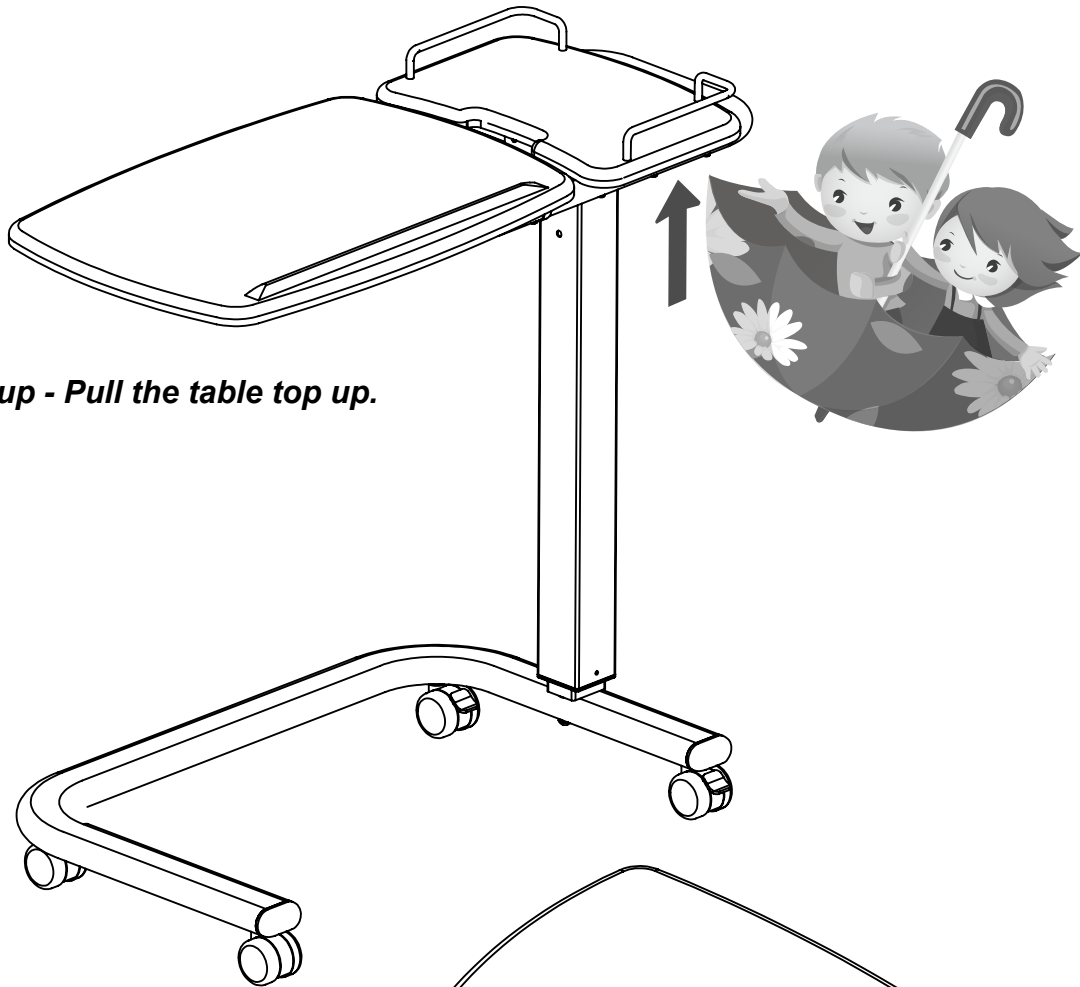
**Note : The table MUST be in the upright position BEFORE titling.**

1. Pull up the edge of top table to activate table top tilting, there are 6-position-ratchet is reversible.
2. Tilt the table top to the desired angle.
3. Tilt the table top to the highest angle, and put down the table top softly, when you want to return to the level position.

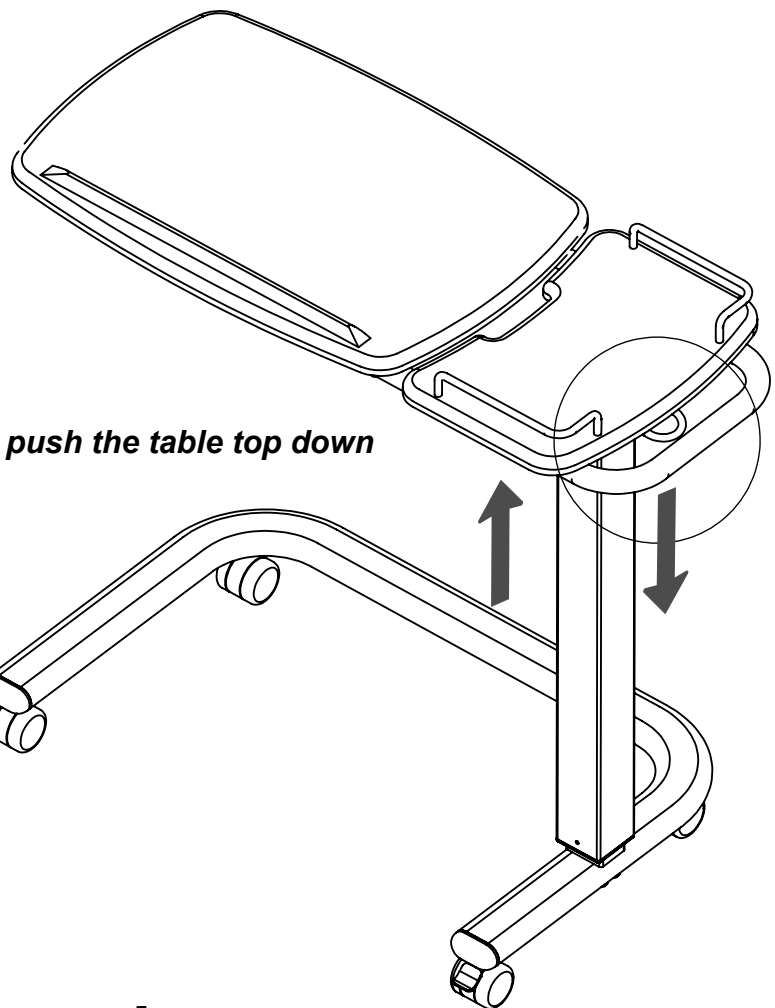


## ***Adjusting the Hi -Low of Overbed Table***

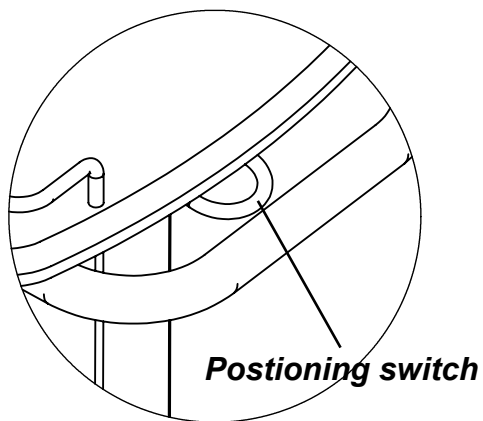
**Note : The Overbed table MUST be in the upright position before Hi-Low adjusting.**



***Table top up - Pull the table top up.***



***Table top down -lift up the switch and push the table top down***



***Positioning switch***





ENT-1103C Parts List				
Item	Part No	Q' ty	Description	零件名稱
1	ENT08-501	1	Base	床桌底座
2	ENT08-502	1	Under Column Post	床桌下立柱
3	ENT05-503	1	Above Column Post	床桌上立柱
4	ENT05-504	1	Table Frame	桌面架
5	ENT05-505	1	Positioning Switch	定位板手
6	ENT08-C05	1	Rail Bar R	金屬邊條右
7	ENT08-C06	1	Rail Bar L	金屬邊條左
8	ENT08-F01	1	Locator	伸縮器
9	ENT08-F02	1	Inner Bushing	內襯套
10	ENT08-F03	1	Outer Bushing	外襯套
11	ENT08-F04	1	Air Pressure Tube	氣壓棒外管
12	ENT08-F05	1	InnerPressure Tube	氣壓棒內管
13	ENT08-F06	2	M8 Nut	M8 螺帽
14	ENT08-F07	2	Wheel & Locked	50輪帶鎖定
15	ENT08-F08	2	Wheel	50輪不鎖定
16	ENT08-F09	1	Small Desktop	右桌板
17	ENT08-F10	1	Big Desktop	桌板
18	ENT08-F11	2	Plug	橢圓塞
19	ENT08-F12	2	Tube Holder	管束
20	ENT08-F13	10	Cross Screw #4X12mm	#4X12自攻
21	ENT08-F14	6	Cross Screw #4X38mm	#4X38自攻
22	ENT08-F15	1	Bolt M6X70mm	M6 x 70
23	ENT08-F16	4	Bolt M6X25mm	M6X25
24	ENT08-F17	1	M6 Nylon Nut	M6尼帽
25	ENT08-F18	5	Bolt M8X45mm	M8X45
26	ENT08-F19	1	Bolt M8X16mm	M8X16
27	ENT08-F20	1	M8 Nylon Nut	M8尼帽
28	ENT08-F21	1	3/8 nut	3/8細牙螺帽

