

Hoisting and Transfer

1. Hercules™ mobile hoisting system	page 450
1.1 Introduction	page 450
1.2 Configuration guide	page 451
2. Alulift™ Aluminium hoist	page 454
2.1 Alulift 130 model for home use	page 454
2.2 Alulift 150 foldable model	page 455
2.3 Alulift 180 hospital model	page 456
2.4 Alulift 320 bariatric model	page 457
3. Arnold™ hoist	page 458
4. James™ hoist	page 459
5. Struzzo™ special active hoist	page 460
5.1 Introduction	page 460
5.2 Configuration options	page 461
5.3 Accessories	page 462
6. Pool hoist solutions	page 466
6.1 Liftpool E™	page 466
6.2 Liftpoolseat E™	page 468
7. Accessories	page 470

Kg
190 Kg



MAIN CHARACTERISTICS:

- Detachable and rechargeable 24V battery.
- The arm on the vertical rail runs at two different speed rates parallel to the column, and it is sway-free.
- With anti-crush device.
- Motion of the arm set with “soft start” and “soft stop”.
- A mechanical emergency device ensures the lift and descent in case of power failure.
- Four twin smooth-running casters, (two braking).
- Electric leg opening from cm 54 to 109.a
- Reduced overall dimensions of the legs height make it possible to fit it under equipment with a room of just cm 11,5.



14940 HERCULES

Electric hoist, basic unit with detachable and rechargeable 24V battery. Battery charger is included in the standard supply. Multi-function hoisting system with column, max capacity 190 kg. The arm slides parallel to the column, has two speeds and is sway-free. Provided with anti-crush device. The hoist helps open the legs electrically by 54-109 cm. Soft start/stop device. A mechanical device allows for emergency rise/lower in case of power failure or faulty battery. Four twin smooth-running caster wheels, two of which are braking. The reduced overall dimensions of the legs height make it possible to fit it under equipment with a room of only 11.5 cm. Capacity: 190 kg



Two attachment points for the holder arm, and control unit display.

Information available on THE CONTROL UNIT DISPLAY

↑ 12034 Work cycles	
A'S 1257000 Total n° of cycles	
7 Number of overloads	
90/360 Maintenance	



14941
BALANCE SPREADER BAR



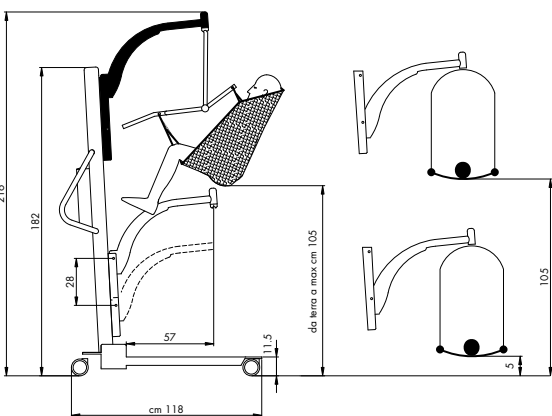
14954
SPREADER BAR C



14953
SPREADER BAR A/F



14942 EYELET



OPTIONAL ACCESSORY



01132
SPARE BATTERY IPX4
Allows continuous use, while the other battery is charging. The internal power supply is 24 V / max 10 AT.



AC0318
WALL BATTERY CHARGER
This is to recharge both the main and spare battery by connecting it to the mains power. It comes with a SHUKO plug as standard.



AC0319
PORTABLE CHARGER
This can be used to recharge the battery supplied or spare batteries, by connecting it to the electricity mains.

14941

BALANCE SPREADER BAR

For slings with clips see the dedicated page



14954

SPREADER BAR C



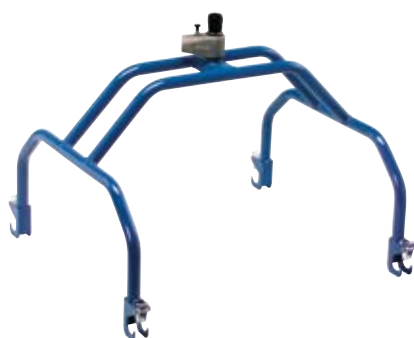
14947

STRETCHER SLING C



14953

SPREADER BAR A/F



14946

STRETCHER SLING A



14949

STRETCHER SLING F



14942 EYELET

Device with swivel hook to attach the following items:

- spreader bar
- weighing kit
- stainless steel arms



01133 SPREADER BAR

For loop slings.



For "loop" slings see the relevant pages



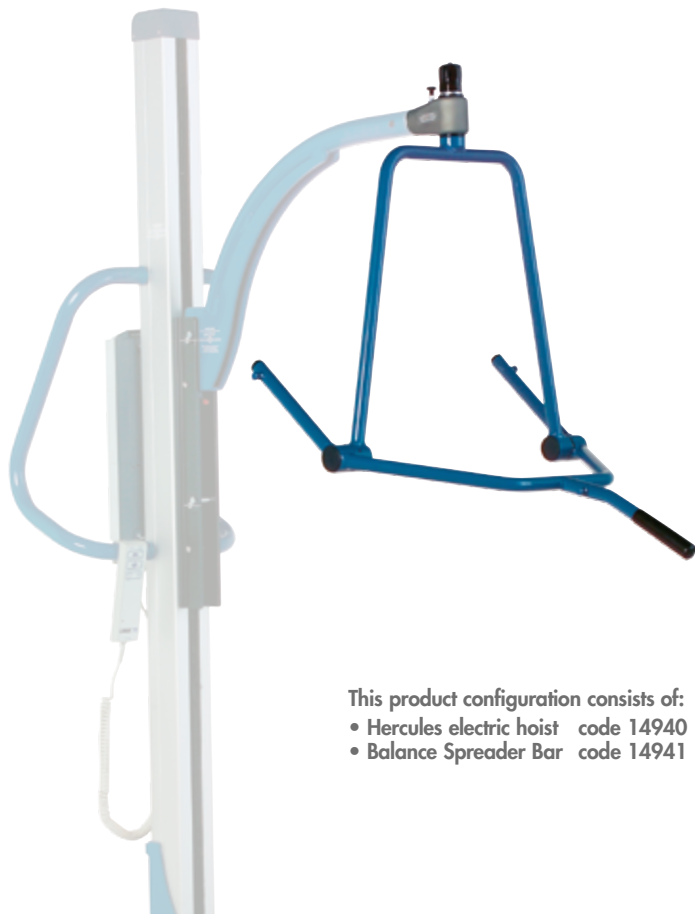
XP0000021

WEIGHT KIT

Weight scale for lifting devices with eyelet. Max Load: 300 kg. DM 93/42/CEE I M Class

14941 BALANCE SPREADER BAR

Spreader bar that in combination with the Hercules hoist facilitates the lifting, transport or repositioning operations of people who are unable to cooperate, i.e. elderly and disabled. The control bar ensures the patient is easily brought to the seated or lying position. Epoxy coated steel frame. Max capacity 190 kg. The spreader bar has been designed for use with security clip slings, designed for maximum safety. Slings with clips can be chosen at the specific paragraph. Capacity: 190 kg



This product configuration consists of:

- Hercules electric hoist code 14940
- Balance Spreader Bar code 14941

14954 SPREADER BAR C

Support system that only accepts to be fitted with Stretcher Sling C (scoop stretcher sling). For lifting and transferring patients in total stability and safety. Capacity: 160 kg

14947 STRETCHER SLING C

Steel scoop support, adjustable in length (167÷190 cm), can be split in two parts with clip attachments designed for maximum safety.



This product configuration consists of:

- Spreader Bar C code 14954
- Stretcher Sling C code 14947

14953 SPREADER BAR A/F

The supporting system accepts to be fitted both with Stretcher Sling A (foldable) and Stretcher Sling F (with slats). Suitable for lifting and transferring the patients in total stability and safety thanks to a secure fastening system. Dimensions: 167÷190 cm Capacity: 160 kg

14946 STRETCHER SLING A

Foldable support made of washable mesh fabric. Provided with quick-connect clips. Dimensions: 65x180 cm. Capacity: 160 kg

14949 STRETCHER SLING F

Support with flexible slats that can easily be fitted by sliding them under the patient. This stretcher sling is ideal to lift/transfer patients who are bedridden, as they can receive medication while they are suspended. Recommended for resuscitation rooms. Dimensions: 65x180 cm. Capacity: 160 kg



In this product configuration the spreader bar A/F is combined with the stretcher sling F.

This equipment consists of two items:

- Spreader Bar A-F code 14953
- Stretcher Sling A code 14946

ALULIFT™ 130 model for home use



S Standard control unit

AS11S000

ALULIFT 130 S

- Aluminium lift - home version (light-weight and easy to handle)
- Standard compact control unit
- Electrical lifting 130 kg
- Mechanical leg spread
- Spreader bar for loops slings
- Powered by a non-removable battery, with built-in 24V battery charger



P Control unit with display

AS11P000

ALULIFT 130 P

Characteristics as above, but with professional control unit with display, controls on front panel, built-in battery charger, removable battery, safety functions, information on overloading, maintenance service and technical data.

INFORMATION ON THE CONTROL UNIT DISPLAY



SPECIFIC ACCESSORIES

(only for "P" versions)

01132 SPARE BATTERY IPX4

AC0319 PORTABLE BATTERY CHARGER

AC0318 WALL BATTERY CHARGER

SLINGS WITH LOOPS

XSL007 SLING WITH LOOPS - M

XSL008 SLING WITH LOOPS - L

XSL009 SLING WITH LOOPS - XL

SLINGS WITH CLIPS

XSL001 SLING WITH CLIPS - M

XSL002 SLING WITH CLIPS - L

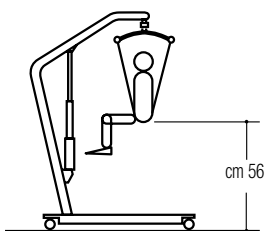
XSL003 SLING WITH CLIPS -XL

XSL004 TOILETING SLING WITH CLIPS - M

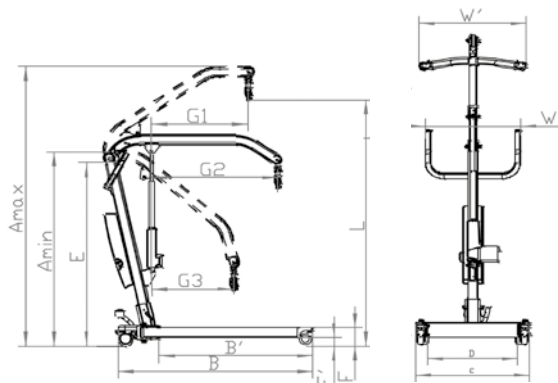
XSL005 TOILETING SLING WITH CLIPS - L

XSL006 TOILETING SLING WITH CLIPS - XL

HOISTING AND TRANSFER



Weighing kit XP0000010 implies an height lowering of 15 cm



COMMON ACCESSORIES



XP0000010
WEIGHING KIT
Capacity: 300 kg



AC0288
ALULIFT BALANCE SPREADER BAR
For clip harnesses.
Capacity: 220 kg

DIMENSIONS GIVEN IN CM

Capacity kg	L		A		B	B'	C	D	E	F	F'	G			W'	W	Weight kg
	Max	Min	Max	Min								G1	G2	G3			
130	145	22	166	114	104	82	58,102 +/- 2cm	48,92 +/- 2cm	105	11	5	47 +/- 3cm	65 +/- 3cm	33 +/- 3cm	55	52	29



In this picture the Alulift model is used with the accessory Balance spreader bar - code AC0288 for clips slings.



S Standard control unit

AS12S000

ALULIFT 150 S

- Aluminium foldable lift - version suitable for care centre / home
- Standard compact control unit
- Electrical lifting 150 kg
- Mechanical leg spread
- Padded spreader bar
- Spreader bar for loops slings
- Powered by a non-removable battery, with built-in 24V battery charger



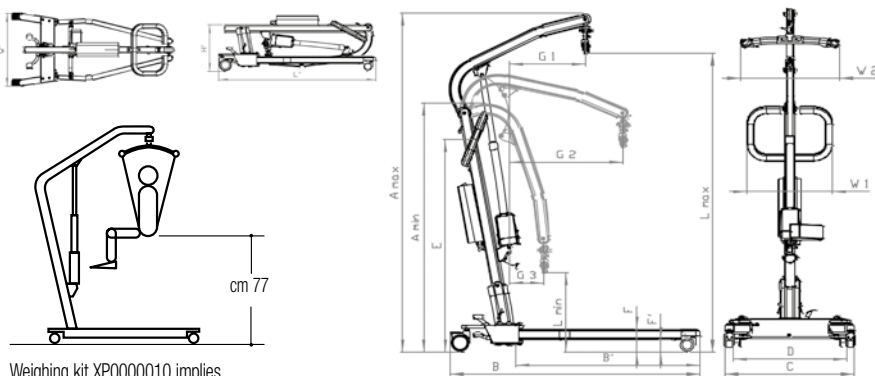
P Control unit with display

AS12P000

ALULIFT 150 P

Characteristics as above, but with professional control unit with display, controls on front panel, built-in battery charger, removable battery, safety functions, information on overloading, maintenance service and technical data.

INFORMATION ON THE CONTROL UNIT DISPLAY



Weighing kit XP0000010 implies an height lowering of 15 cm

COMMON ACCESSORIES



XP0000010
WEIGHING KIT
Capacity: 300 kg



AC0288
ALULIFT BALANCE SPREADER BAR
For clip harnesses.
Capacity: 220 kg

SPECIFIC ACCESSORIES

(only for "P" versions)

- 01132** SPARE BATTERY IPX4
- AC0319** PORTABLE BATTERY CHARGER
- AC0318** WALL BATTERY CHARGER

SLINGS WITH LOOPS

- XSL007** SLING WITH LOOPS - M
- XSL008** SLING WITH LOOPS - L
- XSL009** SLING WITH LOOPS - XL

SLINGS WITH CLIPS

- XSL001** SLING WITH CLIPS - M
- XSL002** SLING WITH CLIPS - L
- XSL003** SLING WITH CLIPS -XL
- XSL004** TOILETING SLING WITH CLIPS - M
- XSL005** TOILETING SLING WITH CLIPS - L
- XSL006** TOILETING SLING WITH CLIPS - XL



DIMENSIONS GIVEN IN CM

Capacity kg	A		B	B'	C	D	F	F'	E	G			L		W1	W2	Folded			Weight kg
	Max	Min								G1	G2	G3	Max	Min			L'	W'	H'	
150	187	138	128	94	66-104 +/- 2cm	58-95 +/- 2cm	13	7	117	38 +/- 3cm	57 +/- 3cm	17 +/- 3cm	164	42	43	55	122	61	39	36

ALULIFT™ 180 hospital model



In this picture the Alulift model is used with the accessory Balance spreader bar - code AC0288 for clips slings.



P Professional control unit with display

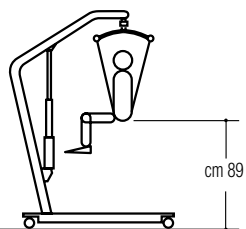
AS13P000

ALULIFT 180 P

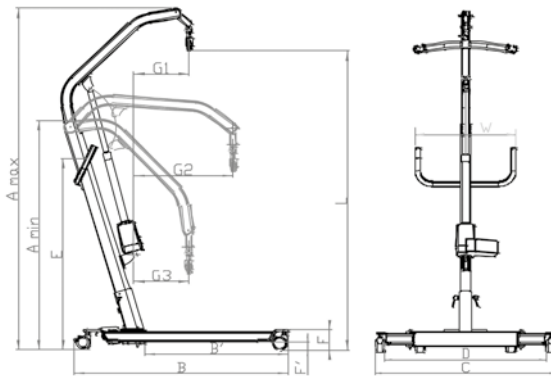
- Aluminium lift - version suitable for care centre / home
- Professional control unit with display, controls on front panel, built-in battery charger, removable battery, safety functions, information on overloading, maintenance service and technical data.
- Electrical lifting 180 kg
- Electrical leg spread
- Spreader bar for loops slings



INFORMATION ON THE CONTROL UNIT DISPLAY



Weighing kit XP0000010 implies an height lowering of 15 cm



SPECIFIC ACCESSORIES

(only for "P" versions)

- 01132 SPARE BATTERY IPX4
- AC0319 PORTABLE BATTERY CHARGER
- AC0318 WALL BATTERY CHARGER

SLINGS WITH LOOPS

- XSL007 SLING WITH LOOPS - M
- XSL008 SLING WITH LOOPS - L
- XSL009 SLING WITH LOOPS - XL
- XSL001 SLING WITH CLIPS - M
- XSL002 SLING WITH CLIPS - L
- XSL003 SLING WITH CLIPS - XL

SLINGS WITH CLIPS

- XSL004 TOILETING SLING WITH CLIPS - M
- XSL005 TOILETING SLING WITH CLIPS - L
- XSL006 TOILETING SLING WITH CLIPS - XL



HOISTING AND TRANSFER

COMMON ACCESSORIES



XP0000010
WEIGHING KIT
Capacity: 300 kg



AC0288
ALULIFT BALANCE SPREADER BAR
For clip slings.
Capacity: 220 kg

DIMENSIONS GIVEN IN CM

Capacity kg	A		B	B'	C	D	F	F'	E	G			L		W	Weight kg
	Max	Min								G1	G2	G3	Max	Min		
180	204	140	113	76	62-109	54-101	11	5	115	29 +/- 3cm	52 +/- 3cm	26 +/- 3cm	180	49	52	38
	199	135							110				176	44		
	194	130							105				170	39		



320Kg



P Professional control unit with display

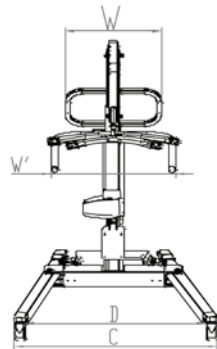
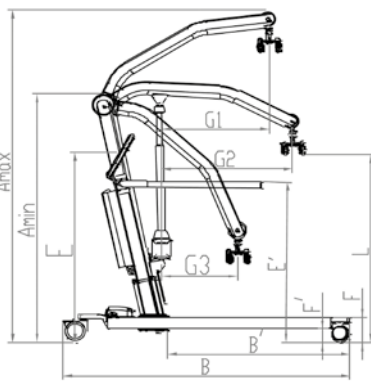
AS14P000

ALULIFT 320 P

- Aluminium bariatric lift - hospital version - can also be used for walking in complete safety.
- Professional control unit with display, controls on front panel, built-in battery charger, removable battery, safety functions, information on overloading, maintenance service and technical data.
- Electrical lifting 320 kg
- Electrical leg spread
- Spreader bar for loops slings



INFORMATION ON THE CONTROL UNIT DISPLAY



SPECIFIC ACCESSORIES (only for "P" versions)

01132 SPARE BATTERY IPX4

AC0319 PORTABLE BATTERY CHARGER

AC0318 WALL BATTERY CHARGER

SLINGS WALKING HARNESS

01621 SMALL WALKING HARNESS

01622 MEDIUM WALKING HARNESS

01623 LARGE WALKING HARNESS

SLINGS WITH LOOPS

XSL007 SLING WITH LOOPS - M

XSL008 SLING WITH LOOPS - L

XSL009 SLING WITH LOOPS - XL

XSL010 BARIATRIC SLING WITH LOOPS

SLINGS WITH CLIPS

XSL001 SLING WITH CLIPS - M

XSL002 SLING WITH CLIPS - L

XSL003 SLING WITH CLIPS - XL

XSL004 TOILETING SLING WITH CLIPS - M

XSL005 TOILETING SLING WITH CLIPS - L

XSL006 TOILETING SLING WITH CLIPS - XL

COMMON ACCESSORIES



XP0000010
WEIGHING KIT
Capacity: 300 kg



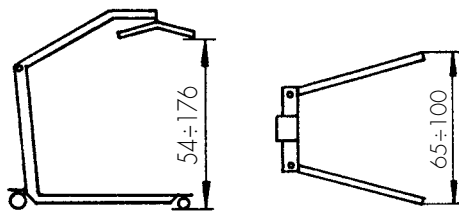
AC0288
ALULIFT BALANCE SPREADER BAR
For clip slings.
Capacity: 220 kg

DIMENSIONS GIVEN IN CM

Capacity kg	L		A		B	B'	C	D	E	E'	F	F'	G			W	W'	Weight kg
	Max	Min	Max	Min									G1	G2	G3			
320	194	64	215	156	150	92	76-119	64-106	130	110	15	8	48 +/-3cm	69 +/-3cm	45 +/-3cm	53	73	62
	189	59	210	151					125	105								
	184	54	205	146					120	100								

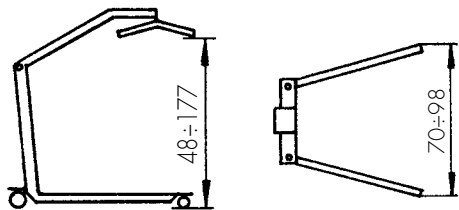
14500 ARNOLD 150

Foldable electric hoist with rechargeable 24V battery. Epoxy coated steel frame, folds and is easy to transport. This patient hoist is equipped with an electrical hoisting unit, low charge protection, emergency lowering, emergency OFF function and a rechargeable battery and built-in battery charger. The rechargeable battery allows the Patient Hoist to be used independently of an external energy supply for a certain period of time (depending on the charge level of the battery) and so increases mobility during use. The base frame can be spread apart simply by activating the foot pedal, and thus increases stability. The rear castor wheels can be easily locked with the brake lever using your foot. Using the hand switch, the lifter arm can be moved up or down without any jerky movement and steplessly via a motorised drive unit. Capacity: 150 kg. Weight: 41 kg.



XRE001 ARNOLD 250

Same technical features as model 14500, but with 250 kg max. capacity. Weight: 52 kg



TECHNICAL SPECIFICATIONS		
ARTICLE CODE	14500	XRE001
	ARNOLD 150	ARNOLD 250
Carrying load	max . 150 kg (body weight)	max . 250 kg (body weight)
Product weight	41 kg (without accessories)	52 kg (without accessories)
Space req. max. L x W x H	Standing: 110 x 65 x 200 cm (Lifter arm all the way up)	Standing: 130x70x200 cm (hoist arm all the way up)
Wheels Ø	Front: d = 75 mm Rear: d = 100 mm with lock	Front: d=125 mm Rear: d = 150 mm
Turning Ø	ca.135 cm	ca.140 cm
Lift height	65 - 176 cm	48 - 177 cm
Lift cycles	Approx. 45 double lifts (depending on wt. and charge)	Approx. 50 double lifts (depending on wt. and charge)
Lifting unit	Stepless and without jerking	Stepless and without jerking
Protection class	II	II
Switch duration	2 min operation / 18 min. pause	1 min operation / 9 min. pause
Charger voltage	230-240V AC/50Hz (control unit)	230-240V AC/50Hz (control unit)
Safety	mechanical emergency lowering - Power-pack low charge - Power surge switch off	- emergency. lowering - Jamming protect, emerg. OFF - Power-pack low charge - Power surge switch off

OPTIONAL ACCESSORIES

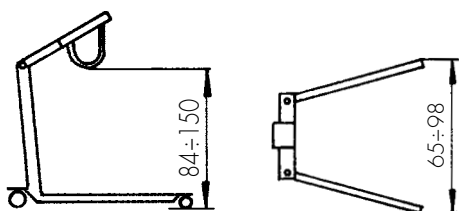


No-tear polyester slings with loops and head support, not padded. Working safety load: 220 kg

- XSL007** SLING WITH LOOPS - M
- XSL008** SLING WITH LOOPS - L
- XSL009** SLING WITH LOOPS - XL
- XSL010** BARIATRIC SLING WITH LOOPS

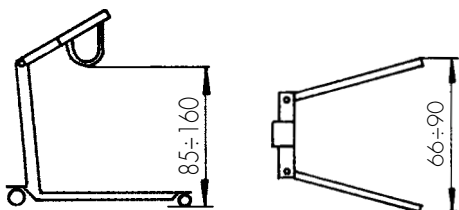
14510 JAMES 150

This standing up hoist is for use in care facilities, clinics and home purposes. It is equipped with an electrical hoisting unit, low charge protection, emergency lowering, emergency OFF function and a rechargeable battery and built-in battery charger. The rechargeable battery allows the Patient Hoist to be used independently of an external energy supply for a certain period of time (depending on the charge level of the battery) and so increases mobility during use. The base frame can be spread apart simply by activating the foot pedal, and thus increases stability. For providing firm footing, the foot-plates are equipped with anti-slip pads and the unit has a height adjustable holder for the knee distance. The rear castor wheels can be easily locked with the brake lever using your foot. Using the hand switch, the lifter arm can be moved up or down without any jerky movement and steplessly via a motorised drive unit. Choose sling from the accessories. Capacity: 150 kg. Weight: 50 kg



XRE002 JAMES 250

Same technical features as model 14510, but with 250 kg max. capacity. Weight: 58 kg



Calf belt is optional, and can be helpful to stabilize legs (accessory code XRE017).

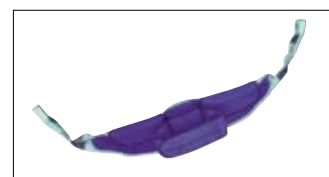


Pair of handles is another optional accessory for model James 150 only (accessory code XRE018).



TECHNICAL SPECIFICATIONS		
ARTICLE CODE	14510	XRE002
	JAMES 150	JAMES 250
Carrying load	max . 150 kg (body weight)	max . 250 kg (body weight)
Product weight	50 kg (without accessories)	58 kg (without accessories)
Space req. max. L x W x H	Standing: 110 x 65 x 200 cm (Lifter arm all the way up)	Standing: 105 x 70 x 200 cm (Forked arm all the way up)
Wheels Ø	Front: d = 75 mm	Front: d = 130 mm
Turning Ø	ca.115 cm	120 cm
Knee pro. height	50 cm to 75 cm (knee midpoint)	45cm to 60 cm (knee midpoint)
Lift height	84 - 150 cm	85 - 160 cm
Lift cycles	Approx. 45 double lifts (depending on wt. and charge)	Approx. 50 double lifts (depending on wt. and charge)
Lifting unit	Stepless and without jerking	Stepless and without jerking
Protection class	II	II
Switch duration	2 min operation / 18 min. pause	1 min operation / 9 min. pause
Charger voltage	230-240V AC/50Hz (control unit)	230-240V AC/50Hz (control unit)
Safety	Mechanical emergency lowering - Power-pack low charge - Power surge switch off	- emergency lowering - Jamming protect, emerg. OFF - Power-pack low charge - Power surge switch off

OPTIONAL ACCESSORIES



Padded material, comfortable, water resistant, washable, with velcro fasteners. Adjustable through the harness eyelets.

14516 JAMES SLING - M/L
Capacity kg 250

14513 JAMES SLING - XL
Capacity kg 250

XRE017 CALF BELT
XRE018 GRAB HANDLE

Pos. 4 The base structure

- 2** For independent mobility, compact base
- 3** For independent mobility, easy access

Pos. 5 The footplates

- 0** Without footplates
- 1** Wooden footplates, positionable with screws
- 2** Metal footplates, adjustable without tools

Pos. 6 The knee supports

- 1** Anatomic supports, adjustable
- 2** Softer supports, adjustable
- 3** Softer supports, adjustable only in height

Pos. 7 The height of the structure

- A** Adjustable by gas spring
- B** Adjustable by electric motor

Pos. 8 Lift

- 3** Totally assisted, by electric motor

Pos. 9 Lift support

- 2** Fixed long seat
- 3** Short seat, adjustable in depth
- 4** Removable long seat

Pos. 10 The side handles

- 2** Short handles, adjustable by rotation
- 3** Long handles, adjustable by rotation
- 4** Short handles, adjustable by sliding
- 5** Long handles, adjustable by sliding

Pos. 11 The structure - upper part

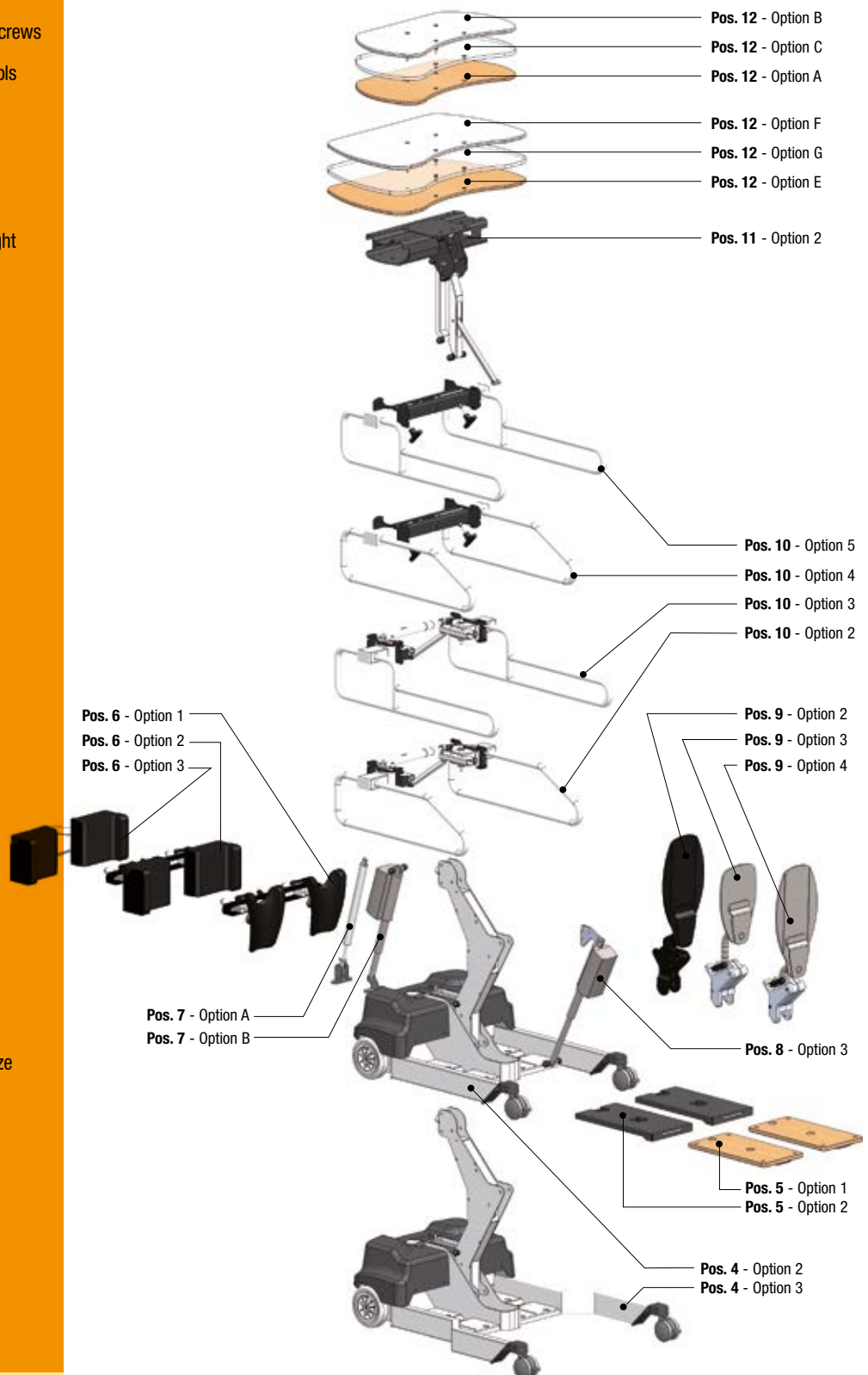
- 2** Dynamic structure, adjustable handles

Pos. 12 The service tray

- N** Without service tray
- A** Wooden service tray – medium size
- B** Polyethylene service tray – medium size
- C** Plexiglass service tray - medium size
- E** Wooden service tray – large size
- F** Polyethylene service tray – large size
- G** Plexiglass service tray - large size

For further information regarding options and accessories, please see chapter 6.

A	V	3					3			2	
1	2	3	4	5	6	7	8	9	10	11	12



A V 3 2 2 1 B 3 3 4 2 C

1 2 3 4 5 6 7 8 9 10 11 12

Example of product configuration

This device enables the user to assume and maintain an upright position, and to move around indoors independently without assistance from a carer. The user is lifted into a standing position by means of an electric motor operated by hand control, while the movement of the service tray accompanies the user along the lifting operation. The service tray has an anti-crushing safety system sensor which can be activated at any time by the user (accessory code AC0692). The aid is provided with a two-motor electric drive which allows unaided movement by using a joystick. The footplates are fitted with adjustable heel rests (accessory code AC0686). The adjustment of the height of the main structure, directly involving the setting of the knee supports and the service tray is motorized and operated by hand control. The trunk is held at both sides by two handles which can be tilted and adjusted in width. Back support is provided by a standard seat adjustable in depth. The whole system of adjustments allows to better suit the whole aid accordingly to the anthropometrical characteristics of the user. For further information, please refer to the section on options, accessories and adjustments. Weight: 70 kg. Maximum load: 140 kg (Ex code AV 23 2420 - Struzzo 2420)



CE

The model in the picture has the AC0686 and AC0692 accessories on.

THERAPEUTIC INDICATIONS

“With proper distinctions and the necessary attention regarding each specific case, it is considered that this product can be aimed at those suffering from spinal cord illnesses or injury, paraplegia, multiple sclerosis, Parkinson’s disease or by muscular pathologies, muscular dystrophy, as well as for those who find it difficult to stand up, for example the elderly”.

Training Course “Technologies for Autonomy” (Università Cattolica di Milan and Don Gnocchi Foundation) School year 1999-2000. Carlo Marchesini’s paper.

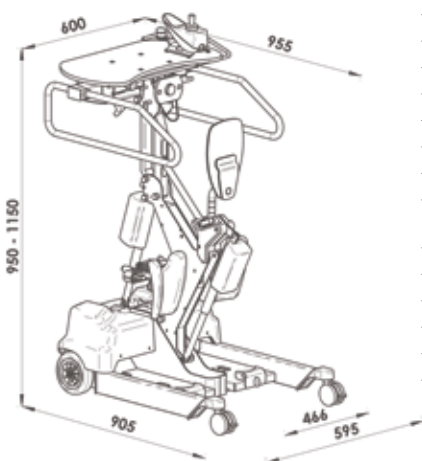
END USER

This aid allows any careful paralytic person, with enough control of one hand, to enjoy the pleasure of moving around at fast pace speed while keeping an upright position, as well as having the access to high shelves and an ease of movement in narrow passages similar to normal. The upright position is reached by means of a motorized seat and also aided by the handle-thoracic support-service tray system which comes down when the patient is sitting down and offers a front support for the trunk of the patient when still sitting and holds him when coming up. If the person is not cooperative while transferring from the wheelchair onto the aid, it is possible to use a shaped pocket (accessory AC0048) which allows the seat to go under the anti-decubitus cushion without having to lift the user from the wheelchair. The shaped pocket can be used only with the long seat.



TECNICAL DATA

ARTICLE CODE	AV3 221 B33 42C
Handle-thoracic support group	movable-can be lifted
Electric servo-assisted lift	electric
Structure height adjustment	electric
Overload protection	acoustic
Parking brake	on back castors
Speed of movement (joystick)	Max 2.5 Km/h (adjustable)
Frame height from ground	31 mm
Maximum climbable step	20 mm
Maximum climbable slope	2 degrees
Operation time (lift/transfer)	Normal use 3-4 days (2h 30m continuous use while moving around)
Average recharging battery time	8 hours
Battery charging level	multi-color display on joystick
Auto off	as standard
Fault diagnostics and maintenance	on display
Anti-crushing safety system	not as standard (accessory)



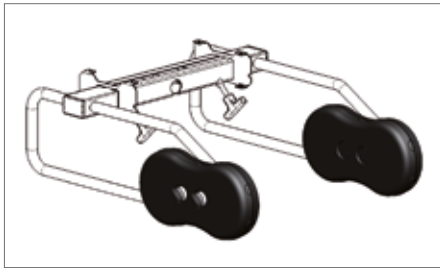
ACCESSORIES:

- AC0685 FIXED HEEL RESTS
- AC0047 FOOT STRAPS
- AC0014 LEGS STRAPS
- AC0543 PADDING FOR SHORT SEAT
- AC0544 PADDING FOR LONG SEAT
- AC0690 REMOVABLE LONG SEAT
- AC0048 POCKET FOR LONG SEAT
- AC0782 LONG HANDLES
- AC0049 LATERAL SUPPORTS
- AC0050 LATERAL-BACK SUPPORTS
- AC0702 ADJUSTABLE LATERAL SUPPORTS
- AC0703 ADJUSTABLE LATERAL-BACK SUPPORTS
- AC0783 BACK STRAP
- AC0075 LOCKING DEVICES
- AC0074 BACK SUPPORT
- AC0076 HEAD SUPPORT
- AC0692 ANTI-CRUSHING SAFETY SYSTEM
- AC0693 FRONT SUPPORT
- AC0694 ANTI-CRUSHING FRONT SUPPORT
- 01608 HAND GRIP
- 01609 HAND-WRIST GRIP
- AC0766.W? COLOURED PADDING FOR MEDIUM SERVICE TRAY
- AC0765 MEDIUM ABS SERVICE TRAY

HOISTING AND TRANSFER

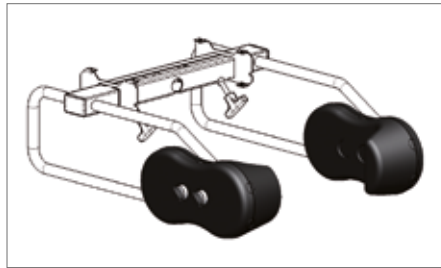
15

ACCESSORIES FOR LATERAL SUPPORT



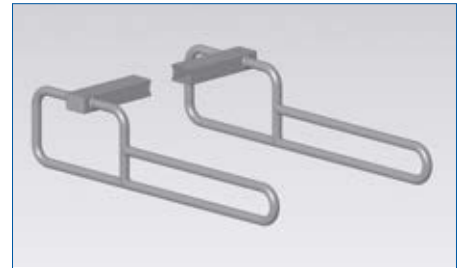
AC0049 LATERAL SUPPORTS

The user encounters a larger contact surface and a softer lateral restraint. The internal structure of the element is made of metal with a foam rubber covering. This is a very shock-absorbing and easy to clean material. The lateral supports can be applied only on short handles, i.e. options 2 and 4 of position 10 of the article code. They are fix and cannot be adjusted in depth on the handles. They are provided in pairs.



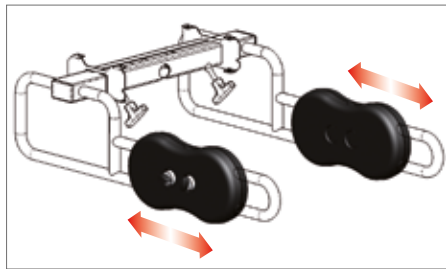
AC0050 LATERAL AND BACK SUPPORTS

The user encounters a larger contact surface and a softer lateral restraint. The internal structure of the element is made of metal with a foam rubber covering. This is a very shock-absorbing and easy to clean material. The lateral supports can be applied only on short handles, i.e. options 2 and 4 of position 10 of the article code. They are fix and cannot be adjusted in depth on the handles. They are provided in pairs.



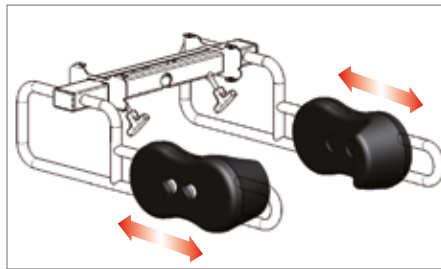
AC0782 LONG HANDLES

If the configuration choice includes short side handles, adjustable in width by sliding (referring to option 4 of position 10 of the article code), it is possible to request accessory longer handles. This possibility allows to have a greater flexibility and more possibilities of stabilization as well as side and back restraint of the user when needed by applying the other accessories available just for long handles.



AC0702 ADJUSTABLE LATERAL SUPPORTS

The user encounters a larger contact surface and a softer lateral restraint. The internal structure of the element is made of metal with a foam rubber covering. This is a very shock-absorbing and easy to clean material. The lateral supports can be applied only on long handles, i.e. options 3 and 5 of position 10 of the article code. The supports can be adjusted in depth on the handles. They are provided in pairs.



AC0703 ADJUSTABLE LATERAL/BACK SUPPORTS

The user encounters a larger contact surface and a softer lateral restraint. The internal structure of the element is made of metal with a foam rubber covering. This is a very shock-absorbing and easy to clean material. The lateral supports can be applied only on long handles, i.e. options 3 and 5 of position 10 of the article code. The supports can be adjusted in depth on the handles. They are provided in pairs.



NOTE: For adjusting the width of the handles, see the description of possible options as they are described in position 10 of configuration code.

ACCESSORIES FOR BACK SUPPORT

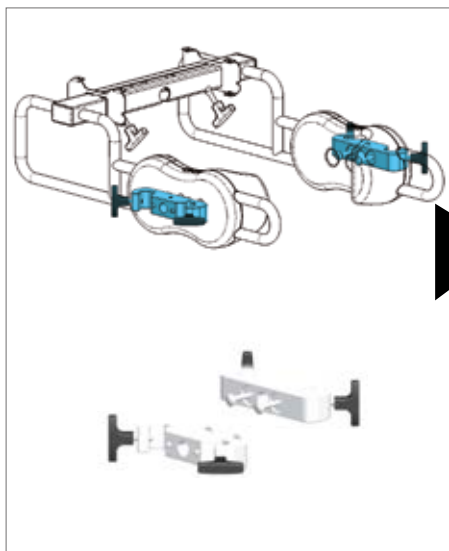


AC0783 BACK STRAP

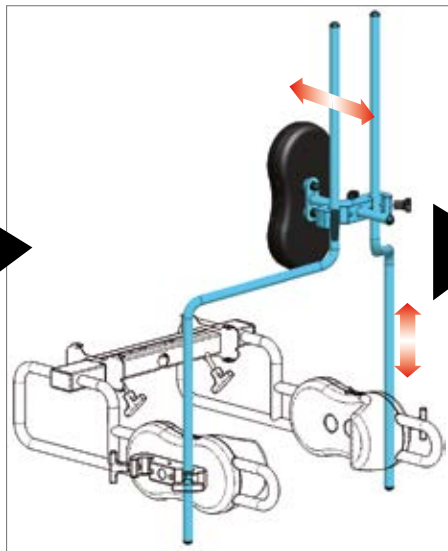
When necessary, it is possible to apply easily a strap for a greater restraint at back level once the person has reached the upright position. This strap is applied by an assistant, and its function is mainly to prevent risk movements as a result of an improper control of the trunk by the user. It is available in one size only.

ACCESSORIES FOR BACK SUPPORT

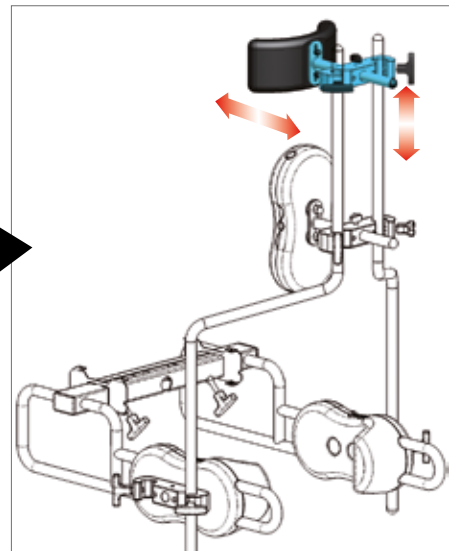
In more complicated situations, and when it is more difficult to stay in an upright position, the carers can intervene with a specific structure to be mounted on the side handles. This configuration is possible only when long handles are mounted on, adjustable by sliding (regarding to position 10, option code 4). Therefore, the related supports to be used with the added structure are adjustable according to the carer, to obtain the best posture and comfort for the user.



AC0075 LOCKING DEVICES
These are devices which can be applied onto the extra lateral supports, accessory code AC0702 or AC0703. They provide an extra back restraint. In such case, it is necessary to request other specific accessories. They are provided in pairs.



AC0074 BACK SUPPORT
It is composed by a metal structure which is inserted in the corresponding locking devices code AC0075 which have been previously applied onto the side supports. In this way, the structure becomes a whole with the standing frame and it can be adjusted altogether in height. Furthermore, it allows to adjust a back support in height and depth. The back support is soft made of rubber foam.



AC0076 HEAD SUPPORT
Whenever the standing frame is provided with a back support structure accessory code AC0074 it is possible to integrate this structure as well with an extra support for the head of the user. This is adjustable in height and depth and it has the same constructive characteristics as the other supports, i.e. soft resistant material easy to clean.

ACCESSORIES FOR FRONT SUPPORT

If the user has a good control of the trunk, he does not need any front support. On the contrary, it may hinder the use of the service tray during carrying out of various activities, as well as limit the resting of the forearms. Nevertheless, the upper part of the aid is designed for holding a possible front support as an accessory. Various front supports are available, even with an anti-crushing safety system by contact.



AC0692 ANTI-CRUSHING SAFETY SYSTEM
This is a round bar with a stainless steel plate with a light coating of plexiglass. This device has the function of preventing the crushing, and it stops the lifting whenever it gets in contact with the user. It is adjustable in depth in seven available pre-set positions, and up to a maximum of 84 mm. The minimum variation is at least 12 mm. Dimensions: Width 128 mm x length 396 mm x height 88 mm.



AC0693 FRONT SUPPORT
This broad support is useful whenever there is not a proper control of the trunk by the user. It is adjustable in depth in seven available pre-set positions up to a maximum of 84 mm. The minimum variation is at least 12 mm. Dimensions: Width 300 mm x length 385 mm x height 258 mm.



AC0694 ANTI-CRUSHING FRONT SUPPORT
This broad support is useful whenever there is not a control of the trunk by the user. It is adjustable in depth in seven available pre-set positions up to a maximum of 84 mm. The minimum variation is at least 12 mm. This support includes the anti-crushing safety with stopping of the lifting by contact with the user. Dimensions: Width 300 mm x length 396 mm x height 258 mm.

ACCESSORIES FOR COMFORT AND EASY ACCESS TO THE SEAT



AC0691 ADJUSTABLE SHORT SEAT

The seat is 240 mm long, enough to hold the user safely while lifting. It can be adjusted in depth when applied to the locking device of the structure. Dimensions: Width: 174 mm x Length/ Depth: 524 mm x Height: 142 mm. Weight: 4,9 kg.



AC0543 SHORT SEAT PADDING

It is breathable thanks to a unique combination of high quality materials, tested and certified. Easy to wash and sterilize, it offers great flexibility and comfort keeping its shape in time. It can be applied on the short adjustable seat, code AC0691.



AC0690 ADJUSTABLE LONG SEAT

It is long to eliminate or reduce the distance gap between the user on the wheelchair and the standing frame. The seat is 360 mm long, and it can be adjusted in depth. Dimensions: Width: 200 mm x Length/ Depth: 578 mm x Height: 142 mm. Weight: 5,5 kg.



AC0544 LONG SEAT PADDING

It is breathable thanks to a unique combination of high quality materials, tested and certified. Easy to wash and sterilize, it offers great flexibility and comfort keeping its shape in time. It can be applied on the long adjustable seat, code AC0690.

FOR EASY ACCESSIBILITY

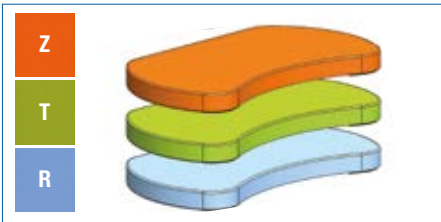


AC0048 POCKET FOR LONG SEAT

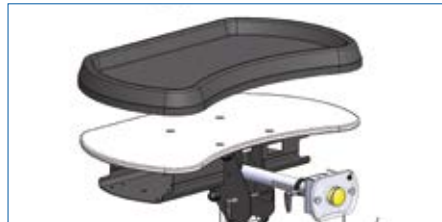
If the person is stable but unable to transfer unaided from the wheelchair onto the seat, a "shaped pocket", can be used. This special pocket can be an essential accessory if we want the user to have all the benefits of lifting with a seat, avoiding the initial difficulty of the problem that is transferring onto the standing frame. The user may be weak but careful and sufficiently coordinated.



SERVICE TRAY ACCESSORIES



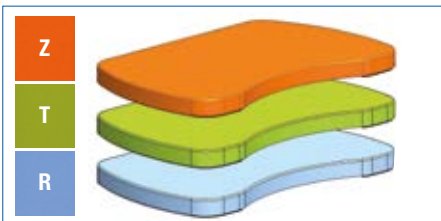
AC0766.W ? MEDIUM SERVICE TRAY PADDING
Padded upholstery of the medium tray. Available in three colours. Please, complete the accessory code with the upholstery colour.



AC0765 MEDIUM ABS TRAY
Extra tray made of ABS with raised edges to be applied on top of the chosen standard medium service tray. Easily removable for cleaning.



01608 HAND GRIP
For those with less upper torso stability. The patient only needs one or two support-points for stability.



AC0767.W ? LARGE SERVICE TRAY PADDING
Padded upholstery of the large tray. Available in three colours. Please, complete the accessory code with the upholstery colour.



AC0764 ABS LARGE TRAY
Extra tray made of ABS with raised edges to be applied on top of the chosen standard large service tray. Easily removable for cleaning.



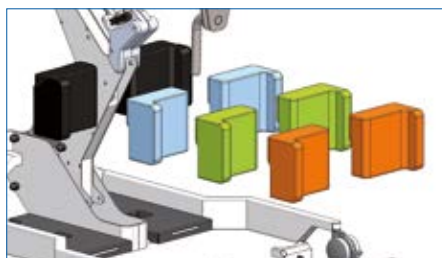
01609 HAND-WRIST GRIP
With a supporting cushion and a velcro wrist band which allows the positioning of the hand safely.

ACCESSORIES FOR KNEE SUPPORTS



? CHOOSING THE COLOUR OF THE PADDING

It is important always to specify the colour code for the upholstery along with the chosen article if the option is available.



AC0689.W ? COLOURED PADDINGS
These are made of soft foamed material with synthetic leather upholstery. The padding is applied to the specific metal structure. Available in three colours. Available in pairs.



AC0014 LEG STRAPS
These enable a greater stabilization of the lower limb when the user is standing on the device. The strap is applied at the level of the knee supports. Available in pairs.

ACCESSORIES FOR METAL FOOTPLATES



AC0047 FOOT STRAPS
To stabilize the feet on the plates. They can be used only with the adjustable heelrests accessory code AC0686. Available in pairs.



AC0685 FIXED HEEL RESTS
It is a guidance for the user once he is on the device. They offer a back support for the feet with a height of 25 mm. They can be used only with metal footplates. Available in pairs.



AC0686 ADJUSTABLE HEELRESTS
Both plates can be adjusted in their width independently. Each heelrest can be used with a foot strap for stabilizing the foot on the plate code AC0047. The heelrests are 25 mm high from the foot plates. They are available in pairs.

Liftpool E - Pool hoist solutions



For transferring from the wheelchair into the water

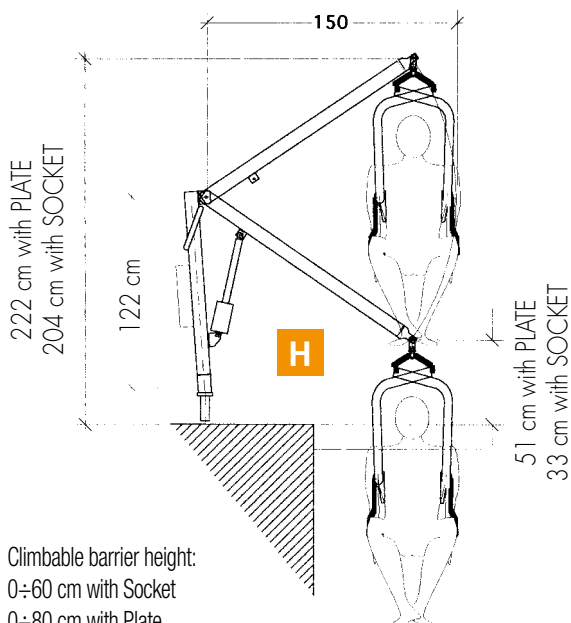
- May be set into a socket or a plate
- 360° rotation
- For easily going over barriers
- Works with rechargeable batteries

14190 LIFTPOOL E

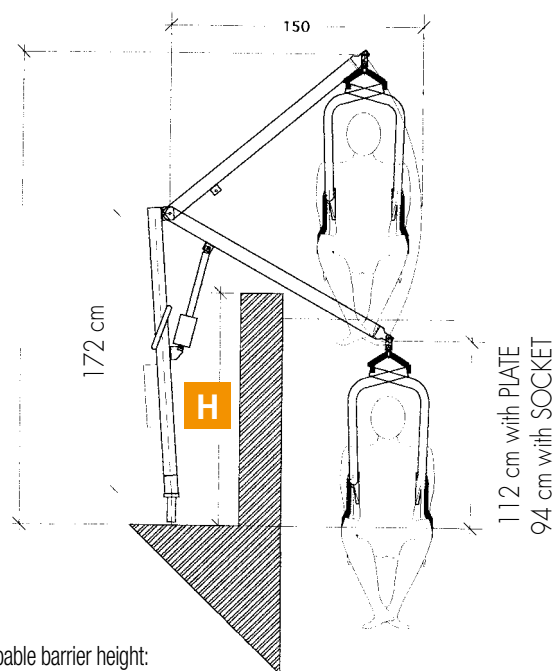
Electric hoist for use at swimming pools, made of varnished stainless steel, with detachable and rechargeable 24V battery, and with external battery charger. This model is suitable for pools both with and without barriers. This equipment is the ideal solution in terms of functions and safety. The mast can be rotated up to 360°. It can be fixed to the floor with either a plate or a socket (configuration options). On ordering please specify the code of the item plus the chosen option configuration for the fixing method. The slings are not included in the supply. To purchase the slings, see following pages. Capacity: 135 kg

14230 LIFTPOOL E MAXI

Same features as model code 14190 but it is suitable for pools with higher barriers. It can be fixed to the floor with either a plate or a socket (configuration options). On ordering please specify the code of the item plus the chosen option configuration for the fixing method. The slings are not included in the supply. To purchase the slings, see following pages. Capacity: 135 kg



H Climbable barrier height:
0÷60 cm with Socket
0÷80 cm with Plate



H Climbable barrier height:
60÷120 cm with Socket
80÷140 cm with Plate

CONFIGURATION OPTIONS

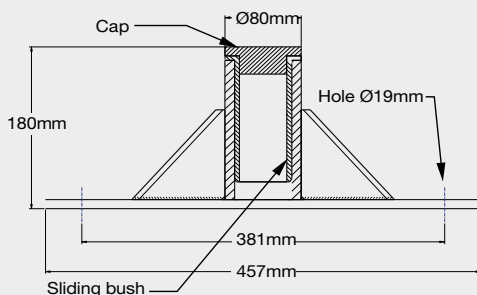


14185
POOL PLATE
 Fixing by means of a stainless steel plate, which is the housing for the hoist's swivel cylinder. ABS cover included.

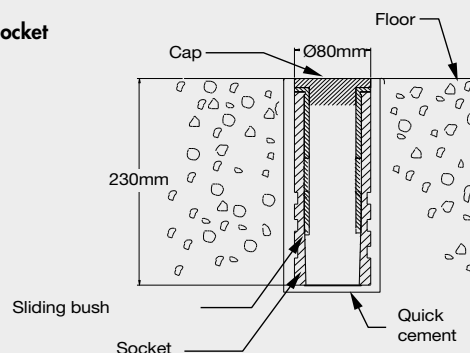


14165
POOL SOCKET
 Concealed fixing consisting of a stainless steel socket, which is the housing for the hoist's swivel cylinder. Blanking plug included.

Pool Plate



Pool Socket



TECHNICAL SPECIFICATIONS

ARTICLE CODE	14190	14230
	Liftpool E	Liftpool E maxi
Max load	135 kg	135 kg
Rechargeable batteries	2 x 12 Vdc; 2,7 Ah	2 x 12 Vdc; 2,7 Ah
Battery charger	included	included
Rotation hoister	360°	360°
Frame	painted steel	painted steel
Emergency descent	mechanical	mechanical
Hoist adjustment	electric	electric
Adjustment control	handset	handset
Protection level	IP 67	IP 67
Patient support	harness	harness
Climbable barrier height		
With socket	from 0 to 60 cm	from 60 to 120 cm
With plate	from 0 to 80 cm	from 80 to 140 cm

COMMON ACCESSORIES

- AC0071 IPX5 BATTERY
- AC0318 WALL BATTERY CHARGER

SPECIFIC ACCESSORIES

- XSL007 SLING WITH LOOPS - M
- XSL008 SLING WITH LOOPS - L
- XSL009 SLING WITH LOOPS - XL
- XSL011 FLOATING SLING - XS
- XSL012 FLOATING SLING - S
- XSL013 FLOATING SLING - M
- XSL014 FLOATING SLING - L
- XSL015 AQUATIC CORSET - XS
- XSL016 AQUATIC CORSET - S
- XSL017 AQUATIC CORSET - M
- XSL018 AQUATIC CORSET - L

Liftpoolseat E - Pool hoist solutions

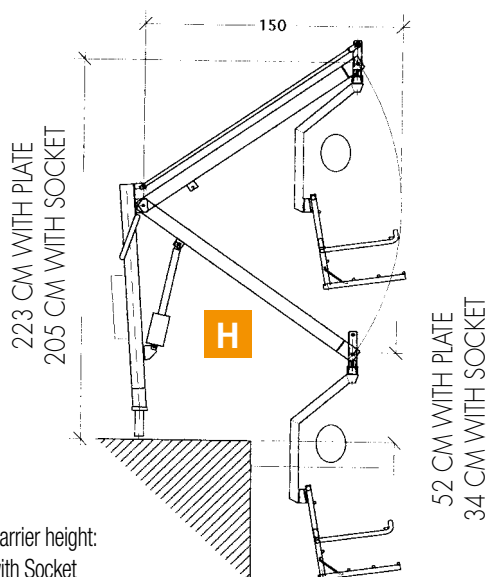


For transferring from the wheelchair into the water

- May be set into a socket or a plate
- 360° rotation
- For easily going over barriers
- Works with rechargeable batteries

14250 LIFTPOOL SEAT E

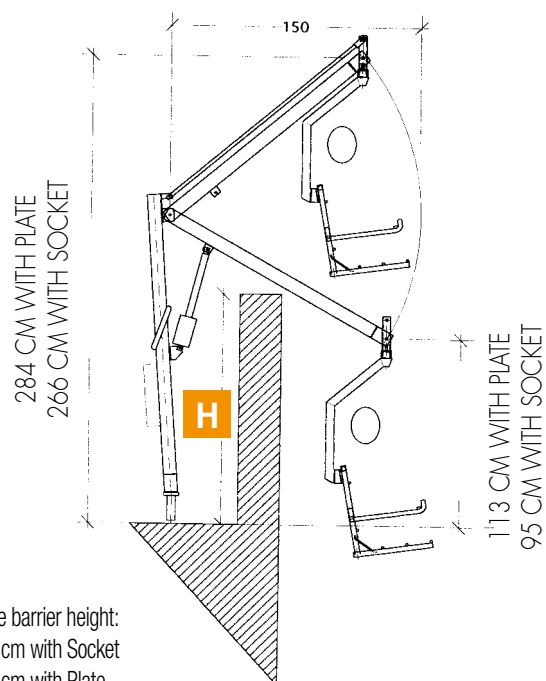
Electric hoist for use at swimming pools, made of varnished stainless steel, with detachable and rechargeable 24V battery, and with external battery charger. This model is suitable for pools both with and without barriers. Complete with a self-balancing seat that has flip-back armrests and a mobile base. The mast can be rotated up to 360°. It can be fixed to the floor with either a plate or a socket (configuration options). On ordering please specify the item code plus the chosen option configuration for the fixing method. Capacity: 135 kg



H Climbable barrier height:
0÷60 cm with Socket
0÷80 cm with Plate

14240 LIFTPOOL SEAT E MAXI

Same features as model code 14190 but it is suitable for pools with higher barriers. It can be fixed to the floor with either a plate or a socket (configuration options). On ordering please specify the item code plus the chosen option configuration for the fixing method. Capacity: 135 kg



H Climbable barrier height:
60÷120 cm with Socket
80÷140 cm with Plate

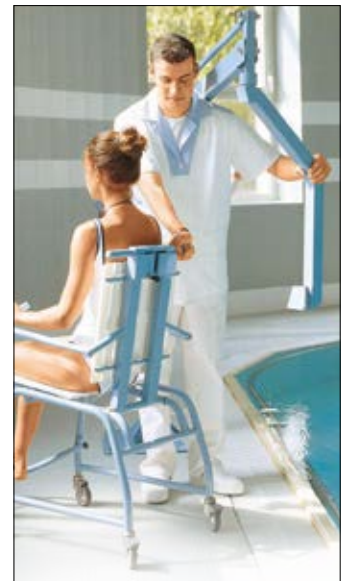
CONFIGURATION OPTIONS



14185
POOL PLATE
 Fixing by means of a stainless steel plate, which is the housing for the hoist's swivel cylinder. ABS cover included.

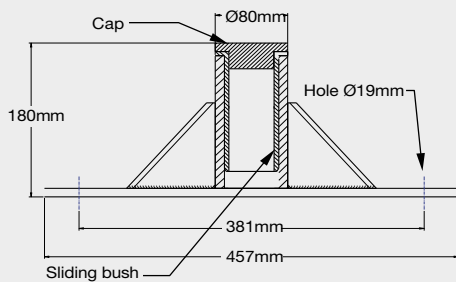


14165
POOL SOCKET
 Concealed fixing consisting of a stainless steel socket, which is the housing for the hoist's swivel cylinder. Blanking plug included.

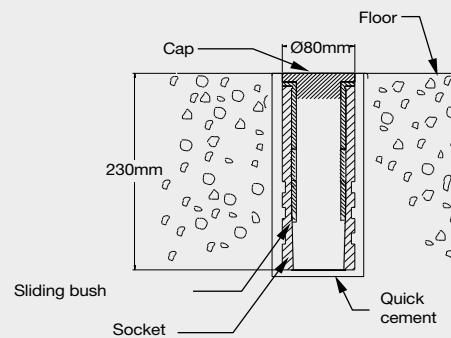


The seat trolley is supplied as standard accessory to be applied to the self-balancing seat.

Pool Plate



Pool Socket



TECHNICAL SPECIFICATIONS

ARTICLE CODE	14250	14240
	Liftpoolseat E	Liftpoolseat E maxi
Max load	135 kg	135 kg
Rechargeable batteries	2 x 12 Vdc; 2,7 Ah	2 x 12 Vdc; 2,7 Ah
Battery charger	included	included
Seat trolley	included	included
Rotation hoister	360°	360°
Frame	painted steel	painted steel
Emergency descent	mechanical	mechanical
Hoist adjustment	electric	electric
Adjustment control	handset	handset
Protection level	IP 67	IP 67
Patient support	self-balancing seat	self-balancing seat
Climbable barrier height		
With socket	from 0 to 60 cm	from 60 to 120 cm
With plate	from 0 to 80 cm	from 80 to 140 cm

COMMON ACCESSORIES

- AC0071 IPX5 BATTERY
- AC0318 WALL BATTERY CHARGER

SPECIFIC ACCESSORIES

- 14255 LEGS REST
- 14256 LIFTPOOL SEAT TROLLEY





Applying accessory 14255 Leg rest to the Liftpool seat E model.



Accessories slings

RESTRAINING SLINGS



Standard slings are of universal type and can hold the whole body of the user. The gluteal area is free starting from the coccyx. The padded straps for the legs prevent irritating or harsh rubbing of the skin. Back handles help positioning the patient. Ideal when the person has no control of the trunk or head. Bariatric versions also available.

WITH LOOPS

SLINGS WITH LOOPS		SERIES	MODELS
 	<p>XSL007 SLING WITH LOOPS - M XSL008 SLING WITH LOOPS - L XSL009 SLING WITH LOOPS - XL</p> <p>No-tear polyester slings with loops and head support, not padded. Working safety load: 220 kg</p>	Alulift	AS11S000 - ALULIFT 130 S AS11P000 - ALULIFT 130 P AS12S000 - ALULIFT 150 S AS12P000 - ALULIFT 150 P AS13P000 - ALULIFT 180 P AS14P000 - ALULIFT 320 P
	Arnold		14500 ARNOLD 150 XRE001 ARNOLD 250
		Liftpool	14190 LIFTPPOOL E 14230 LIFTPPOOL E MAXI
		Hercules With accessories codes 14942 - 01133	14940 HERCULES

BARIATRIC SLING WITH LOOPS		SERIES	MODELS
 	<p>XSL010 BARIATRIC SLING WITH LOOPS</p> <p>Bariatric sling with loops, padded to ease the pressure on thighs, without head support. Capacity 300 kg</p>	Alulift	AS14P000 - ALULIFT 320 P
	Arnold	XRE001 ARNOLD 250	



WITH CLIPS

SLINGS WITH CLIPS		SERIES	MODELS
 	<p>XSL001 SLING WITH CLIPS - M XSL002 SLING WITH CLIPS - L XSL003 SLING WITH CLIPS - XL</p> <p>No-tear polyester slings with clips and head support, padded to ease the pressure on the thighs, with rigid supporting slots. Capacity 220 kg</p>	Alulift With accessory AC0288 "Balance spreader bar" on	AS11S000 - ALULIFT 130 S AS11P000 - ALULIFT 130 P AS12S000 - ALULIFT 150 S AS12P000 - ALULIFT 150 P AS13P000 - ALULIFT 180 P AS14P000 - ALULIFT 320 P
	Hercules With accessory 14941 "Balance spreader bar" on		14940 HERCULES

HYGENIC SLINGS

This type of sling has been projected specifically for being used on the toilet. It has an opening which leaves the gluteal and lower back area free, for the carer to undress the patient, and perform the toileting procedures. All the slings have a Velcro closing strap for a greater support and to simplify its application.

WITH CLIPS

SLINGS WITH CLIPS		SERIES	MODELS
 	<p>XSL004 TOILETING SLING WITH CLIPS - M XSL005 TOILETING SLING WITH CLIPS - L XSL006 TOILETING SLING WITH CLIPS - XL</p> <p>Toileting polyester slings with clips and head support, padded to ease the pressure on the thighs, with rigid supporting slots. Capacity 220 kg</p>	Alulift With accessory AC0288 "Balance spreader bar" on	AS11S000 - ALULIFT 130 S AS11P000 - ALULIFT 130 P AS12S000 - ALULIFT 150 S AS12P000 - ALULIFT 150 P AS13P000 - ALULIFT 180 P AS14P000 - ALULIFT 320 P
	Hercules With accessory 14941 "Balance spreader bar" on		14940 HERCULES

LOOP FIXING

This kind of fixing has several band loops which can be blocked at different "levels" enabling a universal use on hoist devices with two or four hook balance spreader bars.



CLIP FIXING

This kind of fixing by clip is practical for fastening and releasing. Projected for a quick change of posture of the patient with the help of a hoisting device with basculating balance spreader bar.



RESTRAINING SLINGS

User height (cm)	XS	S	M	L	XL
110	from 28 kg	28÷36 kg	36÷48 kg		
120	from 33 kg	33÷43 kg	43÷58 kg		
130	from 36 kg	23÷50 kg	50÷68 kg		
140		da 50 kg	50÷78 kg		
150		da 34 kg	34÷90 kg		
160		da 40 kg	44÷84 kg	84÷102 kg	
170		da 40 kg	44÷98 kg	98÷114 kg	over 114 kg
180			48÷100 kg	100÷114 kg	over 114 kg
190			54÷90 kg	90÷114 kg	over 114 kg
200			60÷90 kg	90÷112 kg	over 112 kg

HYGENIC SLINGS

User height (cm)	XS	S	M	L	XL
110	from 30 kg	30÷36 kg	26÷48 kg		
120	from 36 kg	36÷43 kg	43÷57 kg		
130	from 38 kg	38÷50 kg	50÷78 kg		
140	from 41 kg	30÷58 kg	58÷78 kg		
150	from 40 kg	40÷60 kg	60÷90 kg		
160	from 42 kg	42÷66 kg	66÷102 kg		
170		da 76 kg	76÷110 kg	110÷120 kg	over 120 kg
180		da 78 kg	76÷108 kg	108÷120 kg	over 120 kg
190			60÷106 kg	106÷120 kg	over 120 kg
200			60÷100 kg	100÷120 kg	over 120 kg



The walking harness provides support while exercising to improve gait. This walking harness can be adjusted with straps and clips, which makes it an ideal tool to support shoulders, stomach, chest and legs correctly while exercising to improve gait. The Velcro fastening offers further support to the patient should exercise be too strenuous. Capacity 225 kg



01621 SMALL WALKING HARNESS

Thoracic circumference from 67 to 72 cm

01622 MEDIUM WALKING HARNESS

Thoracic circumference from 73 to 105 cm

01623 LARGE WALKING HARNESS

Thoracic circumference from 106 to 124 cm

The measure chosen of the harness is in accordance with the user's girth. These walking harnesses can be used with ALULIFT 320P code AS14P000, or HERCULES code 14940 with accessories codes 14942 and 01133.

ELECTRICAL ACCESSORIES



AC0071 IPX5 BATTERY

Additional battery for Liftpool E and Liftpool Seat E models, item codes 14190 – 14230 – 14250 – 14240, to ensure the uninterrupted operation of the hoist.



01132 IPX4 BATTERY

Additional battery for Hercules hoist and Alulift P series that allows continuous use, while the other battery is charging. The internal power supply is 24 V / max 10 AT.



AC0318 WALL BATTERY CHARGER

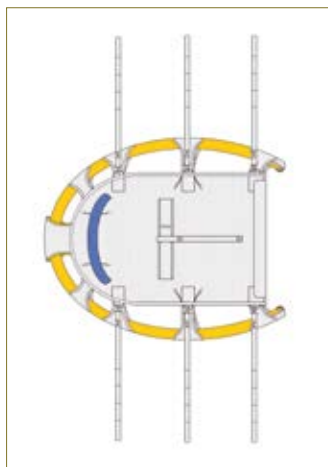
Wall mounted battery charger. This is to recharge both the main and spare battery by connecting it to the mains power. It comes with a SHUKO plug as standard.



AC0319 PORT. BATTERY CHARGER

Portable battery charger with compatible SHUKO socket. By request, it can be supplied with other type of plug.

SLINGS FOR POOL HOIST SYSTEMS



Suggested for swimming pool hoists:
Liftpool E 14190 and
Liftpool E MAXI 14230



XSL011 FLOAT 1, FLOATING SLING

Size XS. Suitable up to: 25 kg

XSL012 FLOAT 2, FLOATING SLING

Size S. Suitable up to: 44 kg

XSL013 FLOAT 3, FLOATING SLING

Size M. Suitable up to: 64 kg

XSL014 FLOAT 4, FLOATING SLING

Size L. Suitable up to: 89 kg



The floating sling is designed for use in swimming pools or hydrotherapy baths. It provides additional support for both the patient and the therapist when working in an aquatic environment. Floatation is guaranteed by three foam tubes, two of which are positioned around the body and one is used to support the neck. Six quick-hooking, adjustable and removable belts allow it to be connected to a lifting device for transfers into and out of the swimming pool. A safety belt provides an additional guarantee during all operations.



XSL015 AQUATIC CORSET

Size XS. Suitable up to: 25 kg.

XSL016 AQUATIC CORSET

Size S. Suitable up to: 44 kg.

XSL017 AQUATIC CORSET

Size M. Suitable up to: 64 kg.

XSL018 AQUATIC CORSET

Size L. Suitable up to: 89 kg.

Suggested for swimming pool hoist systems: Liftpool E 14190 e Liftpool E MAXI 14230

This waterproof corset is designed for use in swimming pools or hydrotherapy baths. This harness is ideal for users with good upper body strength and reasonable weight bearing ability. It is designed to allow the user to be supported whilst transferring to the pool side as well as being lowered into the pool if the tracking permits. Once in the pool the harness gives the user the ability to stand with additional buoyancy support promoting additional confidence in aquatic therapy for the user and carer, assisting with rehabilitation within the pool environment. The harness is manufactured in a mesh material and has a floatation noodle to aid buoyancy in the water.



XSL019 EMERGENCY WATERPROOF HARNESS

This harness is manufactured in a soft mesh fabric with large holes that allow for easy drainage of water from the sling. It has four colour coded grab handles either side of the sling for ease of identification and positioning. The sling can be easily introduced when needed for a quick and easy evacuation from the pool should an emergency situation arise. Floatation noodles are available to purchase as an optional extra. These noodles assist with buoyancy of the mother and can be positioned behind the knees and behind the neck and allow for easier introduction of the sling. This product can also be used for an emergency evacuation from a hydrotherapy pool as well.



XSL020 AQUATIC TRANSFER BELT

Size S/M
suitable for waist sizes 66-90 cm

XSL021 AQUATIC TRANSFER BELT

Size. M/L
suitable for waist sizes 90-112 cm.

The waterproof transfer belt is manufactured from a soft neoprene material and is designed to offer moving & handling assistance within a pool environment. It is ideal for hydrotherapy pools, wet rooms, swimming pools and other wet environments. The user must be able to maintain and support their own weight when using this product. It must not be used as a standing or lifting aid.