

BRODA[®]

Operating Manual

Model Revive Tilt & Recline Shower Commode



Distributor/Rep: This manual must be given to the caregiver responsible for this chair and its occupant.

Caregiver: Before using this chair, read this manual thoroughly and save for future reference.

Actual product may differ slightly from images in Operating Manual

Contents

FOREWORD.....	1
GENERAL INFORMATION.....	2
1 DEFINITIONS	3
2 SAFETY REQUIREMENTS	4
2.1 Training.....	4
2.2 Application.....	4
2.3 Shipping and Storage	4
2.4 Pre-Service Check.....	5
2.5 Hazards	5
2.5.1 Position of Chair - “Danger of Falling”	5
2.5.2 Position of Seat Tilt - “Danger of Tipping”.....	5
2.5.3 Location of Chair - “Danger of Tipping or Falling Objects”.....	5
2.5.4 Total Lock Wheel Brakes - “Danger of Falling”	5
2.5.5 Re-Positioning of Resident - “Danger of Clamping”.....	6
2.5.6 Unintended Movement - “Danger of Falling or Collision”.....	6
2.5.7 Improper Restraint Use - “Risk of Serious Injury”	6
2.6 Improper Use.....	6
2.7 Cleaning	7
2.8 Maintenance	8
2.9 Resident Specific Instructions.....	9
3 OPERATION AND MOVEMENT.....	10
3.1 Seat Tilt- Posterior and Anterior	10
3.2 Back Recline	10
3.3 Elevating Leg Rest	11
3.4 Flip Down Footrest	11
3.5 Swing Away Removable Arms	12
3.6 Removable Commode Seat	12
3.7 Removable Commode Pan	13
3.8 Removable Commode Basket	13
3.9 Casters	14
3.10 Head Rest	14
3.11 Accessories (Options)	14
4 INSPECTION AND FUNCTIONAL TESTING	15
4.1 Inspection	15
4.2 Functional Testing.....	15
5 TECHNICAL INFORMATION.....	16
5.1 Specifications	16
5.2 Broda Seating Revive Parts Schematic Drawing	177
5.3 Broda Seating Revive Parts Schematic Legend	188
6 COMMON TROUBLESHOOTING AND REPAIR	19
6.1 Troubleshooting for Gas Cylinders	19
7 WARRANTY	211

FOREWORD

Congratulations on your purchase of a Broda chair and thank you for your confidence in our company and products.

Broda assumes a leadership role in providing optimum re-positioning functions and mobility for residents of long-term care institutions. Our chairs do not look like traditional chairs and offer advantages unique to Broda. We are sure that after using your Broda chair, you will be convinced that your resident's quality of life will be greatly enhanced.

This manual will assist you in making the best use of the capabilities of your Broda chair and will ensure that you quickly become familiar with its operation.

After reading this manual, if you have any questions about the safe and effective operation of your Broda chair or accessories contact your local Broda representative or our Head Office Customer Service personnel for further assistance.

Head Office:
Broda
15455 Conway Road Suite 200
Chesterfield, Missouri 63017
Phone: (844) 552-7632
Fax: (844) 442-7632
E-mail: sales@brodaseating.com
URL: www.brodaseating.com

GENERAL INFORMATION

This document provides guidance on the safe and effective operation of the Broda chair.

Information in this manual must always be followed.

Anyone involved with the operation or maintenance of the Broda chair, including the resident's family members, must read this operating manual before using the chair.

The resident's primary caregiver is responsible for ensuring that anyone who is unfamiliar with, unwilling, or unable to adhere to the safety and operating instructions, is not permitted to operate or move the chair.

A copy of this instruction manual must always be available.

Broda accepts no liability for damages, injury or accidents caused by operating errors, improper maintenance, or disregard of the instructions in this manual, including any resident specific instructions.

Broda reserves the right to make changes to the specifications, dimensions, functions, or components of its products without notice. Product representations in this manual may vary from delivered products.

Each Broda chair has a unique identifying serial number that must be maintained on the chair as well as with any equipment records.

1 DEFINITIONS

“Broda” means Broda Enterprises Inc. doing business as Broda Seating.

“Broda chair” refers to mode Revive Tilt & Recline Shower Commode.

“Long-Term Care Institution” refers to a nursing home, hospital, or other healthcare facility that provides health and personal care to its residents on a long-term basis.

“Resident” refers to an individual living in a long-term care institution under the care of professional caregivers.

“Professional Caregiver” refers to doctors, nurses, therapists, nursing aids, healthcare aids, and other specialists who work in a long-term care institution and provide health and personal care to its residents.

“Caregiver” refers to any person in a long-term care institution who is appropriately trained to provide care or services to the resident or the chair used by the resident and may include the resident’s family members or guardian.

“Seat Tilt” refers to changing the relative angle between the chair’s seat and the chair frame or ground without changing the relative angle between the back and the seat.

“Back Recline” refers to changing the relative angle between the chair’s back and the seat.

“Footrest Elevation” and “Leg Rest Elevation” refers to changing the relative angle between the chair’s footrest and/or leg rest and the seat.

“Transfer(s)” refers to the movement of a resident into or out of the chair with the assistance of their caregiver(s).

“Mechanical Transfer(s)” refers to the movement of a resident into or out of the chair with the assistance of their caregiver(s) using a patient lift or other assistive device that bares the weight of the resident.

2 SAFETY REQUIREMENTS

2.1 Training

Before the chair is put into service, this manual must be read thoroughly by the caregiver(s) directly responsible for the resident's care.

After the chair is put into service, this manual must be read thoroughly by any new caregivers prior to operating or moving the chair.

For the purpose of this manual, a resident's family member who shares responsibility for their care is considered a caregiver and is subject to the same competency before being permitted by the resident's primary caregiver to operate or move the chair.

Prior to first use, the customer must arrange for an in-service on the operation and safety requirements in this manual, must be given to the resident's caregivers by the local Broda representative who supplied the chair.

The primary caregiver must maintain a list of caregivers who have read this manual and who they have authorized to operate and move the chair.

The resident's primary caregiver is responsible for ensuring that anyone who is unfamiliar with, unwilling, or unable to adhere to the safety and operating instructions, is not permitted to operate or move the chair.

The operations of the chair must be performed by the resident's primary caregiver who is responsible for seating. All The operations and adjustments performed should be done in a manner to ensure the overall safety, comfort and well-being of the resident, caregiver and third party. All operations and adjustments required for the resident should be determined by the resident's primary caregiver who is responsible for seating.

2.2 Application

Broda chairs are intended exclusively for residents of long-term care institutions who are under the care of professional caregivers. The suitability of a Broda chair must be determined by a qualified caregiver who is familiar with the seating needs of the intended resident. Any other use of the chair is excluded from possible liability claims.

The chairs are not explosion resistant and must not be used where there are flammable gases or liquids present (e.g., anesthetics, volatile solvents and cleaners, etc.)

Broda chairs are designed for use with specific Broda parts and accessories. The use of non-Broda parts or accessories with a Broda will void the warranty and is excluded from possible liability claims.

Broda chairs may only be used as described in this manual and with proper regard for recognized healthcare and workplace safety and accident prevention practices.

2.3 Shipping and Storage

Broda chairs should be shipped and stored in an upright position and not stacked higher than 3 boxes. No other materials should be shipped or stored on top of a Broda box. Broda boxes should not be placed on pallets.

Broda chairs should be shipped and stored at temperatures between -20°C and 40°C. Broda chairs should not be used until they are between 0°C and 30°C.

Broda Commode Shower Chairs should be wiped dry after use. Do not leave Broda chairs outdoors as it may cause the paint to peel.

Upon receipt, the shipping carton must be immediately examined for damage. Any damage should be noted on the delivery receipt and a request for inspection by the transportation company should be made. Next, the shipping carton should be opened, and the chair must be examined for concealed shipping damage. If the chair appears to be damaged, do not use the chair. File a concealed damage report with the transportation company.

2.4 Pre-Service Check

Broda chairs are delivered fully assembled. If the chair does not appear to be ready to use upon receipt, immediately contact your supplier and do not put the chair into service until any concerns have been resolved.

Visually inspect the chair for damage, missing parts, and loose fasteners prior to testing the chair's functions. Functional testing must be successfully completed after visual inspection and before use. These obligations apply to the chair's first use and to all subsequent uses (Section 4: Inspection and Functional Testing).

2.5 Hazards

2.5.1 Position of Chair - "Danger of Falling"

After a resident is transferred into a chair, assess the amount of tilt required. We recommend that the chair's seat be tilted sufficiently to prevent the resident from sliding or falling forward off the chair. The amount of seat tilt used should be determined by the resident's caregiver who is responsible for seating.

We recommend that the resident's feet be correctly positioned on the footrests and slightly to fully elevated to prevent the resident from sliding or falling forward off the chair. The amount of elevation used should be determined by the resident's caregiver who is responsible for seating.

2.5.2 Position of Seat Tilt - "Danger of Tipping"

We recommend that the chair's seat be tilted sufficiently to prevent an agitated resident from tipping the chair forward or backward, or from slumping and sliding in the chair. The amount of seat tilt used should be determined by the resident's caregiver who is responsible for seating. Always ensure that the resident is properly positioned before operating the seat tilt.

2.5.3 Location of Chair - "Danger of Tipping or Falling Objects"

We recommend that when a resident has been moved to their destination, the chair is placed where the resident cannot reach handrails or other objects, fixed or movable. This is to prevent the resident from pulling the chair over or pulling themselves off the seating surface and to prevent the resident from pulling movable objects onto the chair and themselves.

We recommend that the chair be used in a supervised area to prevent untrained residents, caregivers, or third parties from unauthorized operation, movement, or unsafe actions such as sitting or leaning on the reclined back, elevated footrest, or the armrests. These actions, if not prevented, put the chair at risk of tipping or damage to the chair.

We recommend that a chair only be located on a level surface to minimize the risk of tipping over.

2.5.4 Total Lock Wheel Brakes - "Danger of Falling"

The special casters found on the Broda chair have total lock brakes which prevent the wheels from turning and swiveling. The brakes must always be applied when:

- 1) the chair is not in use
- 2) the chair is not being moved by the caregiver
- 3) a resident is being transferred (moved) into or out of the chair;

It is important to note that if the wheel locks are applied while the patient is in the chair, that the caregiver does not leave the patient unattended, especially those patients who have the capability or tendency to move the chair and/or those who may be agitated. This could cause harm to the patient if they attempt to move the chair while the wheel locks are applied.

Note that removing and attaching the footrest may be easier for the caregiver with the brakes applied

Failure to follow these instructions will unnecessarily increase the risk of serious falls by residents, caregivers, or third parties caused by the chair unintentionally moving.

2.5.5 Re-Positioning of Resident - “Danger of Clamping”

Broda chairs offer the benefits of seat tilt, back recline, leg rest/footrest elevation, and moveable arms. During the movement of any of these functions, the following safety measures must be observed:

- 1) The resident’s arms must be positioned on the armrests or inside the chair frame with their hands on their body or on.
- 2) The resident’s feet must be correctly positioned on the footrest.
- 3) All of the chair’s brakes have been applied.
- 4) Only one caregiver at a time attempts to operate the chair’s functions.
- 5) Only one chair function is operated at a time.
- 6) The rear wheels are in the trailing position, behind the chair frame.
- 7) The residents’ and caregivers’ body are clear of all pinch points before operating the chair’s functions.

Failure to follow these safety measures can put the residents’ or caregivers’ limbs at risk of injury. Residents who may be unaware of their body position or unable to maintain a safe body position are at the most risk of the danger from clamping and caregivers should be more cautious with these residents. A second caregiver may be required to ensure the safety of these residents during these operations.

2.5.6 Unintended Movement - “Danger of Falling or Collision”

We recommend Broda chairs for indoor use within a long-term care institution and where there is not enough slope to cause the chairs to move unaided. Chairs used where the surface is uneven or sloped are at risk of unintended movement and could become a serious danger to the resident, caregiver(s), or a third party. We recommend that Broda chairs are located away from stairwells, elevators, and exterior doorways within a long-term care institution.

2.5.7 Improper Restraint Use - “Risk of Serious Injury”

We recommend that alternatives to physical restraints be used with residents while seated in the chair except under the specific instructions of the resident’s primary caregiver and with permission of the resident’s family or guardian.

2.6 Improper Use

As outlined, the improper use of the chair is dangerous to the resident, caregivers, or third parties, and can consist of, but is not limited to the following:

- 1) Unauthorized operation of the chair’s functions.
- 2) Unauthorized movement of the chair.
- 3) Inappropriate use of the chair for a resident who has not been assessed by a qualified caregiver responsible for their seating.
- 4) Failure to frequently reposition the resident in the chair
- 5) Attempting to operate of multiple chair functions simultaneously by one or more caregivers.
- 6) Attempting to move the chair with the brake(s) applied.
- 7) Leaving the resident unattended in the chair near other objects.
- 8) Leaving an agitated resident in the chair in an unsupervised area.
- 9) Leaving a resident unattended.
- 10) Leaving a resident in a chair on a sloping surface.
- 11) Leaving a chair unattended on a sloping surface.
- 12) Using non-Broda accessories on the chair.
- 13) Using the chair at temperatures below 0°C.
- 14) Using the chair for any use other than its intended purpose.

2.7 Cleaning

Broda chairs should be wiped clean with soap and water. Diluted household strength ammonia or chlorine based cleaner, as well as a hospital grade cleaner may be used if necessary.

For best cleaning results, certain parts on the chair should be removed: Instructions for removal of the following parts are in this manual: Ensure that the entire chair including removable and non-removable parts is thoroughly cleaned.

Pay close attention to the frame, sockets, fasteners, parts and casters, for an even, thorough clean.

Remove parts for cleaning if desired:

- 1) Commode Seat
- 2) Swing Away/Removable Arms
- 3) Footrest
- 4) Commode Pan and Basket

Thoroughly clean all removable parts and padding, as well as the frame and components around the parts and padding that have been removed. To help maintain the function of the gas springs, we recommend keeping them lubricated after each use. A white food grade grease may be used. Solvents such as those found in spray lubricants should not be used.

Broda chairs should not be cleaned with petroleum-based cleaners. Any petroleum-based products that come in contact with any vinyl surface should be removed as quickly as possible.

Frequency and method of cleaning the chairs should be determined by facility infection control protocols. If visibly soiled, thoroughly clean the chair immediately as per the cleaning instructions in this manual.

The cleaning instructions in this manual are guidelines only. Results may vary under actual conditions. The information does not relieve the user of proper and safe use of the product and all cleaning agents and consideration for the overall cleaning maintenance of the chair. Cleaning and care instructions must be followed in conjunction with facility infection control protocols.

Broda will not accept warranty or liability claims on chairs that have not been cleaned according to the instructions or cared for in proper regard for patient, caregiver and third-party safety and hygiene. The use of certain agents may be harmful to the surface appearance and lifespan of the vinyl. Broda assumes no responsibility resulting from the use of such cleaning agents to the vinyl.

Touch up paint is available for the powder coated frame. Please call Broda's Customer Service Department if touch up paint is required. Do not leave Broda chairs outdoors as the frame is not UV protected. Leaving the chairs outdoors could cause the paint to peel.

2.8 Maintenance

The maintenance on a Broda chair will vary with the amount of use and the condition of the resident using the chair.

In regular use, after the initial inspection and functional testing, the chair should be inspected and tested bimonthly. We recommend visually inspecting for signs of wear, damage, loose or missing fasteners, and other safety concerns. Periodic testing of chair functions is also necessary. If a breakage, defect, or operational problem is detected, the chair must be successfully repaired, inspected and tested for function before it is returned to service.

The chair should be inspected and tested as often as each use if the chair is used by:

- 1) Aggressive or agitated residents.
- 2) Residents who have involuntary movements.
- 3) Residents weighing over 220 lbs.
- 4) A facility with irregular or sloped surfaces.
- 5) Any unauthorized person.

Do not use lubricants that contain solvents. Solvents may compromise any rubber components on the chair. If necessary, white food grade grease or lubricant can be used on any sliding components.

3 OPERATION AND MOVEMENT

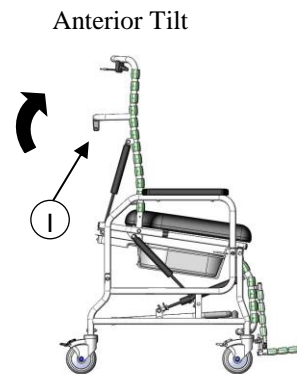
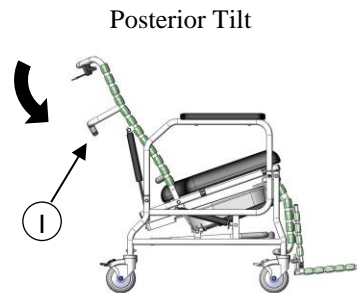
Safety measures as described in Section 1 must be observed when operating the chair's functions or moving the chair. Only authorized caregivers should attempt to operate or move a chair. The caregiver must use proper body mechanics when operating the chair and be prepared to support the weight of the resident while operating the chair.

3.1 Seat Tilt- Posterior and Anterior

The seat can be tilted to any position from the most upright to the lowest or highest position within its range. This assists the caregiver in changing a resident's body position to minimize falling or sliding forward and improve the resident's comfort. The anterior tilt helps provide a safe sit/stand assist.

To Activate the Seat Tilt:

- Place right hand on bar to assist movement and squeeze tilt handle with left hand.
- Raise or lower seat tilt until desired angle is achieved



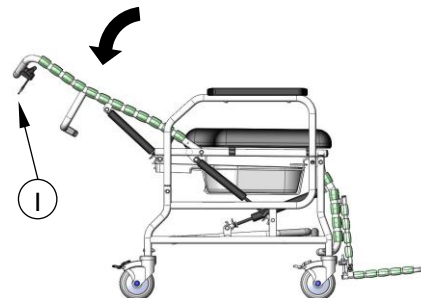
3.2 Back Recline

The back can be reclined to any position from the most upright to the lowest within its range. Use back recline to position the resident, assist with cleaning the abdominal area and with washing the resident's hair.

WARNING: Always tilt slightly before reclining to prevent resident from sliding.

- Place right hand on the tilt bar and squeeze the tilt handle with left hand.
- Raise or lower the back until the desired angle is required.

WARNING: Do not operate tilt and recline handles together.

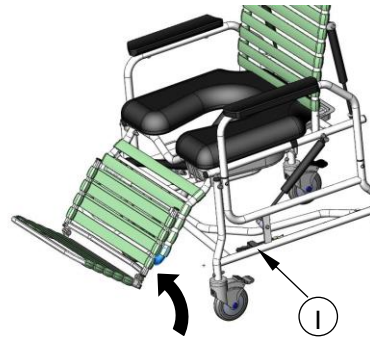


3.3 Elevating Leg Rest

Gas cylinders allow the leg rest to be positioned infinitely from horizontal to vertical. The leg rest elevates independently from the back recline.

To Adjust the Leg Rest:

- Hold the leg rest to assist movement and squeeze the leg rest handle.
- Raise or lower the leg rest to the desired angle.



3.4 Flip Down Footrest

The flip down footrest is removable and length adjustable.

To Attach the Footrest:

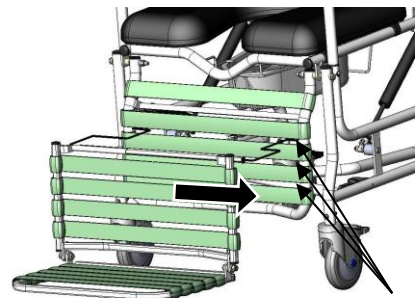
- Insert the right end of the footrest upper cross piece into the desired hole in the right side of the leg rest frame.
- Insert the left end of the footrest upper cross piece into the corresponding hole in the left side of the leg rest frame.

WARNING: Do not attempt to stand on the footplates.

- Release the tension on the spring mechanism.

To Remove the Footrest:

- Lift up the footrest slightly to discontinue contact between the straps on the footrest and leg rest.
- Squeeze the footrest to the right to activate the spring mechanism and release the left and right side.



Length
Adjustment
Increments

3.5 Swing Away Removable Arms

The swing away removable arms allow for side access to facilitate safe and easy transfers.

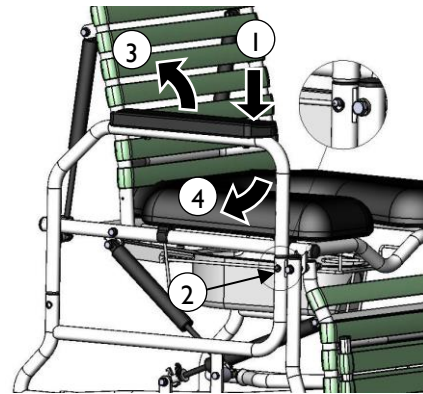
To Remove the Arms:

-Push down on the front of the armrest while pushing in the button on the side panel and allow the armrest to “pop up.”

-Swing the side panel away or remove completely.

To Insert the Arms:

- Insert the back end of the side panel into the back receptacle.



3.6 Removable Commode Seat

To Remove the Commode Seat:

- Lift up the front of the commode seat to release the clips from the front of the frame.

-Lift the rear of the commode seat to release the Clips from the rear of the frame.

To Attach the Commode Seat:

Place the seat directly onto the frame of chair, **ensuring all the clips are secured to the frame.**



3.7 Removable Commode Pan

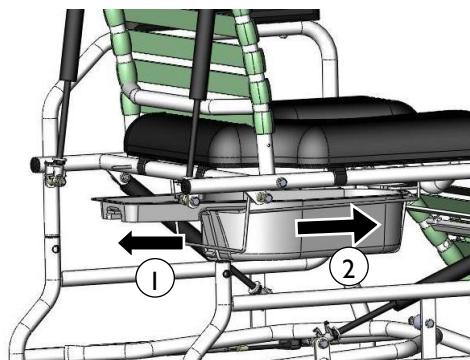
The commode pan and basket are removable for use of the chair over the toilet.

To remove the Commode Pan:

- Lift up on the pan to release the hooks from the commode basket.
- Pull the basket towards the rear of the chair.
- Gently lift the pan up while keeping level, to release the hooks from the commode basket.

To Insert the Commode Pan:

- Insert the front hooks of the pan onto the commode basket.
- Push the pan towards the front of the chair.
- Insert the rear hooks of the commode pan on to the basket to secure in place.



3.8 Removable Commode Basket

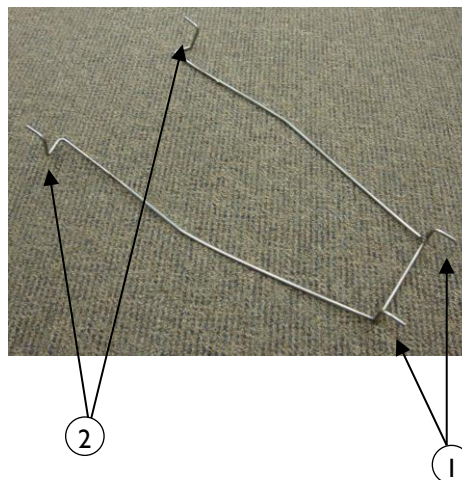
The commode basket holds the commode pan securely in place and is removable for cleaning.

To Insert the Commode Basket:

- Standing in front of the chair, insert the end of the basket with the short prongs into the holes at the front of the chair on the inner side of the frame. When inserting the front portion of the basket, ensure that the rear of the basket is underneath the cross piece at the rear of the chair.
- Insert the basket into the holes on the inner side of the rear cross piece. The basket will need to be pulled down to bend slightly, in order to fit into the holes.
- Once the basket is inserted into the holes in the cross piece, release the tension on the basket to secure into place.

To Remove the Commode Basket:

- Standing in front of the chair, remove the basket from the rear cross piece. The basket will need to be pulled down to bend slightly to release it from the holes in the cross piece. Remove the basket from front of chair.



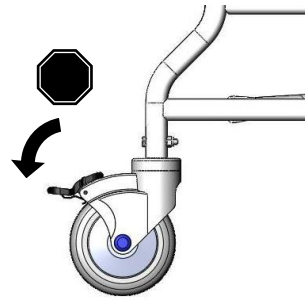
3.9 Casters

The Revive chair features three 5” stainless total lock casters and one 5” stainless rear directional locking (tracking) caster.

To Operate the Casters:

Step on/off the caster pedal to lock/unlock the caster.

Always ensure the brakes are unlocked when wheeling the chair.



3.10 Head Rest

The Revive padded head rest is height and angle adjustable to accommodate various users.

To Adjust the Head Rest Height:

-Loosen the head rest hand wheel.

-Raise or lower the head rest to the desired height for the user.

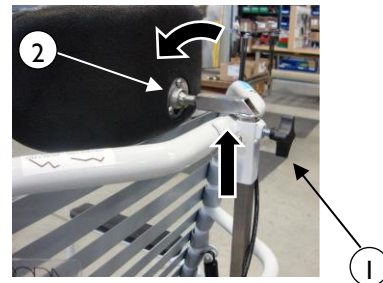
-Tighten hand wheel to secure head rest in place.

To Adjust the Head Rest Angle:

-Use the appropriate Allen wrench to loosen the ball joint screws.

-Adjust the head rest to the desired angle for the user.

-Tighten the ball joint screws to secure head rest in place.



3.11 Accessories (Options)

We recommend Broda accessories for use only on Broda chairs. The correct installation of the Broda accessory is very important. We recommend that the Broda chair is ordered with the required accessories already installed. Only authorized caregivers who thoroughly understand the accessory installation procedures should attempt to install their Broda accessories without assistance from their local Broda representative. Broda does not recommend use of other manufacturer's accessories on Broda chairs.

4 INSPECTION AND FUNCTIONAL TESTING

Safety measures as described in Section 1 must be observed when inspecting or testing a chair. Only authorized caregivers or maintenance staff should attempt to inspect or test a chair.

4.1 Inspection

We recommend regular visual inspection for signs of wear, damage, loose or missing fittings, and other safety concerns. If a breakage, defect, or operational problem is detected, the chair must be repaired inspected and tested for function before it is returned to service.

We recommend that the chair be inspected as often as each use if there is any reason to be concerned about the possibility of increased wear or loose or missing fittings. **At a minimum, in regular use the chair should be inspected on a bimonthly basis.** The visual inspection procedure should include at least the observation of all the fittings (fasteners):

The visual inspection procedure should include at least the observation of the following parts:

- 1) The cylinders that position the seat tilt, back recline, and independent leg rest elevation.
- 2) The vinyl straps used in the seat, back, leg rest and footrest
- 3) The black handles and cables.
- 4) The clips on the commode seat

The visual inspection procedure should include the observation of any installed accessories. The visual inspection should be performed by the facility, or if in a private residence, by the individual responsible for the chair.

4.2 Functional Testing

We recommend that the chair should be tested for operation of the chair's functions without a resident in the chair. The testing may be as often as each use if there is any reason to be concerned about the possibility of increased wear or damage to the chair's components. At a minimum, in regular use the chair should be tested for functions as described in Sections 3.

If the caregiver or maintenance department performing the functional testing believes that any function is not operating correctly, the chair should be taken out of service until a satisfactory functional test can be completed.

The caregiver or maintenance department performing the testing should be aware that the seat tilt, back recline, and footrest (leg rest) elevation operations will be more difficult without a resident in the chair. When performing repairs or maintenance, do not use lubricants that contain solvents. Solvents will damage many of the moving components in the chair. If necessary, a white, food grade grease (lubricant) may be used on the sliding components in the chair. Do not use spray lubricants on any part of the chair.

5 TECHNICAL INFORMATION

5.1 Specifications

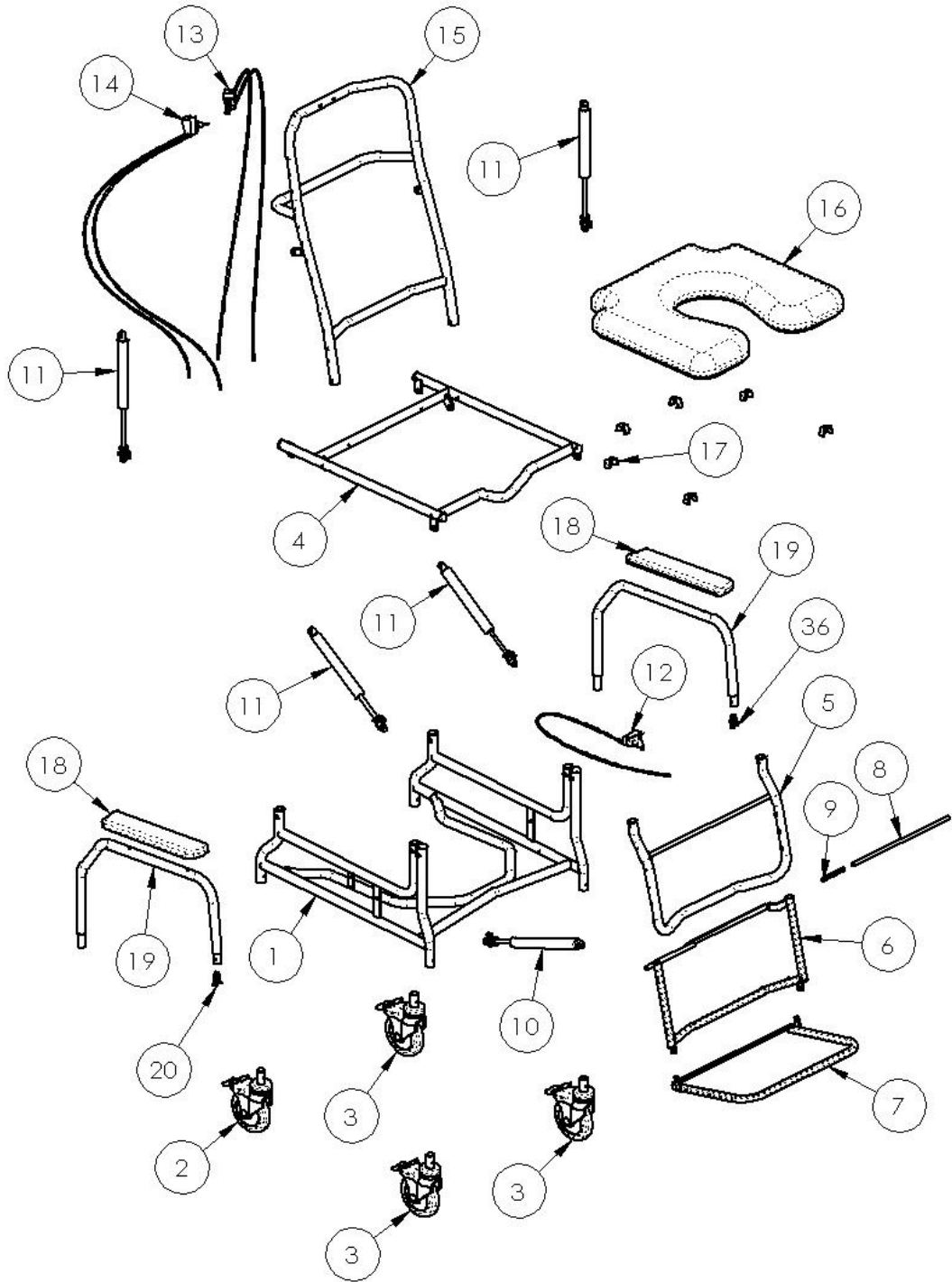
Standard Features of Revive Tilt & Recline Shower Commode Chair

1. Back Recline: Up to 67° of back recline° (infinitely adjustable)
2. Seat Tilt: Up to 12° of posterior seat tilt (infinitely adjustable)
Up to 10° of anterior seat tilt (infinitely adjustable)
3. Frame: 16-gauge powder coated stainless steel
4. Chair Surface: Padded removable commode seat with 4 way stretch urethane foam cover

BRODA Comfort Tension Seating™ on backrest, leg rest and footrest. Strapping is 1.5" wide, by .130" thick; contains fungicide, has shape memory retention, is fire retardant
5. Arms: Swing away and removable
6. Leg Rest: Leg rest adjusts independently of back recline
Leg rest adjusts to any angle between horizontal and vertical
7. Footrest: Flip down removable/adjustable footrest
8. Commode Pan Removable commode pan with grip handle, removable commode basket
9. Casters: Three 5" total lock stainless casters, one 5" directional locking (tracking) stainless caster
10. Seat Depth: 18"
11. Seat Height: 24.5"
12. Seat Width: 18" or 22"
13. Overall Width: 24.5" (for 18" seat width), 28.5" (for 22" seat width)
14. Weight Capacity: 400 lbs.
15. Overall Weight: Approx. 85 lbs. standard features
16. Head Rest Padded, adjustable head rest

All dimensions are ± 0.5".

5.2 Broda Revive Tilt & Recline Shower Commode Parts Schematic Drawing- January 1, 2012



5.3 Broda Revive Tilt & Recline Shower Commode Parts Schematic Legend- January 1, 2012

#	Description	Part Number
1.	Base Frame CS385 (width)	BASE-CS385
2.	Caster 5 Stainless Steel Directional Lock	CASTER-5"DL-SS
3.	Caster 5 Total Lock Stainless Steel	CASTER-5"TL-SS
4.	Seat Frame CS385 V2 (width)	SEAT-CS385V2
5.	Legrest Frame for CS385(width) (color)	LGRT-CS385
6 & 7.	Footrest Frame Single CS385 (3 or 4 strap) (width) (color)	F-SINGLE-CS385
8.	Frame Foot Rod (width)	F-ROD
9.	Footrest Spring 3.25 Long	F-SPRING
10.	Cylinder gas spring 300N and Actuator w/lever	CYLSS-LOCK-KIT
11.	Cylinder gas spring 270N and Actuator w/lever	CYLSS-LOCK-KIT
12.	Cable and Handle Assembly (cable length 48)	CABLE-HAND
13.	Double Cable and Handle Assembly (cable length 32)	CABLE-HAND-DBL
14.	Double Cable and Handle Assembly (cable length 48)	CABLE-HAND-DBL
15.	Back Frame CS385 (width)	BACK-CS385
16.	Seat Commode Padded CS385 (size)	SEAT-PD-CS385
17.	Clips for Padded Seat	CLIP-PD
18.	Armrest Soft	AR
19.	Arm Top Frame CS385	ARM-TOP-CS385
20.	Spring for Armbottoms/wings	DETENT-PIN

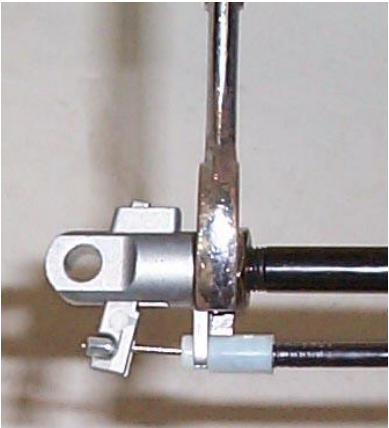
6 COMMON TROUBLESHOOTING AND REPAIR

Please have the chair serial number ready when contacting Broda or your local area representative for parts or assistance for your chair. The serial number can be found on a grey sticker on the rear of the chair.

6.1 Troubleshooting for Gas Cylinders

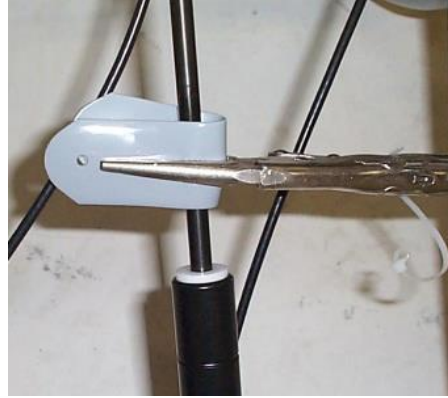
The use of gas charged springs (cylinders) on Broda products allows the caregiver to easily make adjustments to the tilt, recline, and leg rest with a minimal effort. The gas cylinders contain Nitrogen gas, it is not flammable nor is it toxic. The cylinders provide a lifting force which counterbalances the weight of the occupant thereby reducing the amount of weight the caregiver needs to lift.

Symptom	Problem	Solution
The chair is not reclining or tilting, or leg rest is not moving when the handle is squeezed	The pin in the end of the cylinder is not being depressed when the handle is pulled.	Ensure the cable is attached to the cylinder actuator. If cable is attached, see Adjustment Step below.
The chair (tilt, recline or leg rest) seems to slowly slide out of position	The pin in the end of the cylinder may be still partially depressed.	See Adjustment Steps below:

Adjustment Steps:	
<p>-Loosen the lock nut located on the stem of the gas cylinder next to the actuator (17mm or 11/16" wrench)</p> <p>-From the above instruction determine whether you want to wind the stem further into the actuator or further out of the actuator. Wind the stem further into the actuator if the chair is not tilting or reclining, (wind clockwise) and wind it further out of the actuator if the chair is slowly sliding out of position. (wind counter-clockwise)</p> <p>-Wind the stem in the correct direction one half turn.</p> <p>-Check the function of the cylinder and repeat the above step until the cylinder functions properly.</p> <p>-Tighten the lock nut loosened in the first step.</p> <p>-If adjusting the cylinder does not correct the problem, the cylinder may need to be replaced. Please contact Broda at or your local area representative.</p>	 <p>Note: Cylinder does not need to be removed from the chair to make this adjustment.</p>

Note: When adjusting cylinders with tools that come in contact with the cylinder rods, a cloth or some other protective material must be used to protect the sliding surface of the rod. If the rod becomes scratched or marred it will damage the seal on the cylinder and the cylinder will fail.

Damaging a cylinder in this fashion voids the manufacturer's warranty.



7 WARRANTY

MANUFACTURER WARRANTY

Effective 10/15/2018

From date of purchase Broda warrants the side frames and cross members located on the base frame, for the Expected Lifetime* of the original purchaser/ user, when purchased from an Authorized Broda Dealer. *Expected Lifetime of the frame is 10 years.

In addition, Broda warrants its other product components, except the seat cushion and covers (which are not warranted), to be free from defects in materials and workmanship for a period of 2 years from the date of purchase, as indicated on the original purchase order. This warranty is non-transferable.

The warranty is subject to the following conditions:

A serial number or invoice number is required for warranty coverage. The warranty shall not apply to serial numbered items if the serial number has been removed or altered in any way.

Warranty is valid for "new" purchases only. All other items will be warranted at the sole discretion of Broda.

If within such warranty period any such product shall be proven to be defective through examination, inspection and testing as deemed necessary, such product shall be repaired or replaced at Broda's discretion. This warranty does not include on-site labor.

On request, defective parts must be returned to the factory, pre-paid and insured, within 30 days. Failure to do so, will result in the owner incurring the cost of the replacement parts. Photos of defective parts may be requested as an alternate to returning product.

Limitations and Exclusions:

This warranty does not cover damages that arise from improper handling, cleaning, maintenance, storage or negligent use. The warranty does not cover Broda's wheelchairs and chairs used in any way, other than the manner in which it was designed and recommended.

Modifications, incorrect assembly or installation to Broda products or the use of non-Broda products voids the warranty. Installation of parts that require the frame to be altered in any way, must be completed by a Broda Representative, unauthorized performances will void the warranty.

This warranty does not cover freight damage (see Damaged Freight Policy).

Broda retains the right to make product design and product application changes without notice.

The application of Broda products shall remain the responsibility of the purchaser or user. Please reference the model specific operating instruction manuals for safety requirements, inspectional and functional testing, technical information and more.

Warranty does not include on-site labor for the installation of warranty parts or warranty repairs. The owner may return to Broda products for warranty replacement or repair by shipping items prepaid and insured to the factory. Warranty completed at the factory includes both materials and labor. The decision to repair or replace parts is at the discretion of Broda. All returns to the factory require prior authorization from Broda.

WC-19 Transportation Certified Products:

Vehicle Transport Products and Options are available by factory install only. It can NOT be retrofit to existing models or serviced in the field. All components of the vehicle transport packages are subject to specific maintenance requirements, to maintain the Broda warranty.

Due to the testing requirements of the vehicle transport chair, Broda warranty limitations apply to non-factory installed repairs. Warranty and maintenance repairs must be made by Broda authorized service technicians. Any replacements or repairs made by unauthorized person (s) will void this warranty and Broda assumes no liability on the performance of said components.

DO NOT modify the transport chair. Modifications may change the transport chair's structure and center of balance, which may increase the risk of serious injury to the user and void the warranty. If a problem is detected with any of the Vehicle Transport Product and Option components or any components of the chair, remove the wheelchair or chair from service and contact Broda immediately. Chairs involved in vehicle accidents should be taken out of use immediately.

For any further questions regarding our Manufacturer Warranty please contact Broda Customer Service at 1-844-552-7632 or customerservice@Brodaseating.com



Mode d'emploi

Le fauteuil de douche et d'aisance modèle CS 385



Distributeur/Rep.: Ce mode d'emploi doit être remis à l'intervenant responsable de ce fauteuil et à son usager.

Intervenant : Avant d'utiliser ce fauteuil, lire ce mode d'emploi minutieusement et le conserver pour référence ultérieure.

Le produit peut être légèrement différent de l'image utilisée dans le manuel d'opération.

Table des matières

AVANT-PROPOS.....	1
INFORMATION GÉNÉRALE	2
1 DÉFINITIONS	3
2 EXIGENCES DE SÉCURITÉ.....	4
2.1 Formation	4
2.2 Application.....	4
2.3 Expédition et entreposage	5
2.4 Vérification avant la mise en service	5
2.5 Risques	5
2.5.1 Position du fauteuil - « Risque de tomber ».....	5
2.5.2 Position d'inclinaison du siège - « Risque de tomber ».....	5
2.5.3 Emplacement du fauteuil - « Risque de basculer ou de faire tomber des objets »	6
2.5.4 Freins de roue autobloquante à toutes positions - « Risque de tomber »	6
2.5.5 Repositionnement du résident - « Risque de se coincer ».....	6
2.5.6 Mouvement involontaire - « Risque de tomber ou d'entrer en collision ».....	7
2.5.7 Utilisation inappropriée d'une contention - « Risque de se blesser grièvement »	7
2.6 Utilisation inappropriée.....	7
2.7 Nettoyage	7
2.8 Entretien.....	9
2.9 Directives spécifiques concernant le résident.....	10
3 ACTIONNEMENT ET DÉPLACEMENT.....	11
3.1 Inclinaison du siège – Postérieure et antérieure	11
3.2 Allongement du dossier.....	11
3.3 Élévation du repose-jambes	12
3.4 Repose-pieds repliable	12
3.5 Accoudoirs pivotants/amovibles	13
3.6 Siège d'aisance amovible.....	13
3.7 Bassine d'aisance amovible	14
3.8 Panier de bassine amovible	14
3.9 Roulettes	15
3.10 Appui-tête.....	15
3.11 Accessoires (en option)	15
4 INSPECTION ET ESSAI DE FONCTIONNALITÉ	16
4.1 Inspection	16
4.2 Essai de fonctionnalité	16
5 INFORMATION TECHNIQUE.....	17
5.1 Spécifications	17
5.2 Étiquettes.....	18
Roulette Directionnelle.(verte)	18
5.3 Vue explosive des pièces du fauteuil CS 385 de BRODA	19
6 DÉPANNAGE COURANT ET RÉPARATION.....	21
6.1 Dépannage pour cylindres au gaz.....	21
7 GARANTIE.....	23

AVANT-PROPOS

Félicitations pour votre achat d'un fauteuil BRODA, et merci de votre confiance envers notre compagnie et nos produits.

BRODA se positionne à la tête de son industrie en fournissant des solutions optimales de repositionnement et de mobilité aux résidents des établissements de soins de longue durée. Les fauteuils BRODA ne ressemblent en rien aux fauteuils traditionnels et offrent des avantages uniques à BRODA. Nous sommes persuadés qu'après avoir fait usage de votre fauteuil BRODA, vous serez convaincus que la qualité de vie de vos résidents sera considérablement améliorée.

Ce manuel vous aidera à tirer le meilleur parti des capacités du fauteuil BRODA et vous assurera de vous familiariser rapidement avec son fonctionnement.

Après avoir lu ce manuel, si vous avez quelque question que ce soit relativement au fonctionnement sécuritaire et efficace de votre fauteuil BRODA ou de ses accessoires, vous êtes priés de communiquer avec le représentant BRODA de votre région ou le personnel du service à la clientèle de notre siège social.

Siège social :

BRODA Seating

560 Bingemans Centre Drive

Kitchener, Ontario, Canada, N2B 3X9

Téléphone : 519-746-8080 Sans frais Can./É.-U.: 1-800-668-0637

Télécopieur : 519-746-8616

Courriel : sales@brodaseating.com

Site Internet : www.brodaseating.com

INFORMATION GÉNÉRALE

Ce document fournit des conseils sur le fonctionnement sécuritaire et adéquat d'un fauteuil BRODA.

L'information de ce mode d'emploi doit être observée en tout temps.

Quiconque participe au fonctionnement et à l'entretien du fauteuil BRODA, y compris les membres de la famille du résident, doit lire ce mode d'emploi avant de faire usage du fauteuil.

L'intervenant responsable du résident doit s'assurer que toute personne qui n'est pas familière, qui ne veut ou ne peut pas se conformer à ses directives de sécurité et de fonctionnement, ne soit autorisée à actionner ou déplacer le fauteuil.

Une copie du présent mode d'emploi doit toujours être disponible.

BRODA n'accepte aucune responsabilité que ce soit pour des dommages, blessures ou accidents occasionnés par des erreurs d'utilisation, un manque d'entretien approprié ou la négligence d'observer les directives de ce manuel, incluant des instructions spécifiques au résident.

BRODA se réserve le droit d'apporter des modifications relativement aux dimensions, aux fonctions et aux composantes de ses produits sans préavis. Les produits représentés dans ce manuel peuvent différer des produits livrés.

Chaque fauteuil BRODA comprend son propre numéro de série d'identification, qui doit être conservé sur le fauteuil ainsi que dans le registre des équipements.

1 DÉFINITIONS

« BRODA » signifie *Broda Enterprises Inc.* faisant des affaires sous la dénomination *Broda Seating*.

La mention « fauteuil BRODA » fait référence au fauteuil de douche et d'aisance modèle CS 385.

« Établissement de soins de longue durée » fait référence à un centre de soins infirmiers, un hôpital ou tout autre centre de soins de santé qui dispense des soins personnels et de santé à ses résidents sur une base de longue durée.

« Résident » fait référence à tout individu demeurant dans un établissement de soins de longue durée et qui est sous les soins d'intervenants professionnels.

« Intervenant professionnel » fait référence aux médecins, infirmiers(ères), thérapeutes, aides-infirmiers(ères), aides-soignants et autres spécialistes qui travaillent dans un établissement de soins de longue durée et qui dispensent des soins personnels et de santé à ses résidents.

« Intervenant » fait référence à toute personne dans un établissement de soins de longue durée qui est adéquatement formée pour fournir des soins ou des services au résident ou s'occuper du fauteuil utilisé par le résident. Cet intervenant peut être un membre de la famille du résident ou son tuteur.

« Inclinaison du siège » fait référence au changement de l'angle relatif du bloc siège/dossier du fauteuil par rapport à l'armature ou au sol, sans changer l'angle relatif entre le dossier et le siège.

« Allongement du dossier » fait référence au changement de l'angle entre le dossier du fauteuil et le siège du fauteuil.

« Élévation du repose-pieds » et « Élévation du repose-jambes » fait référence au changement de l'angle entre le repose-pieds et/ou le repose-jambes du fauteuil et le siège du fauteuil.

« Transfert » fait référence au déplacement d'un résident dans son fauteuil ou hors de celui-ci avec l'aide de son ou ses intervenant(s).

« Transfert mécanique » fait référence au déplacement d'un résident dans son fauteuil ou hors de celui-ci avec l'aide de son ou ses intervenant(s) à l'aide d'un lève-personne ou d'un autre dispositif d'assistance qui soutient le poids du résident.

2 EXIGENCES DE SÉCURITÉ

2.1 Formation

Avant que le fauteuil soit mis en service, ce manuel doit être lu minutieusement par le ou les intervenant(s) directement responsable(s) des soins dispensés au résident.

Lorsque le fauteuil est mis en service, ce manuel doit être lu minutieusement par tous les nouveaux intervenants avant d'actionner ou déplacer le fauteuil.

En ce qui concerne ce manuel, un membre de la famille d'un résident, qui partage la responsabilité de ses soins, est considéré au même titre qu'un intervenant et doit ainsi avoir la même compétence avant d'être autorisé par l'intervenant responsable du résident à actionner ou déplacer le fauteuil.

Avant la première utilisation, le client doit planifier une séance de formation interne sur les rudiments de fonctionnement et sécurité décrits dans ce manuel, dispensée aux intervenants qui interagissent avec le résident par le représentant régional BRODA qui a fourni le fauteuil.

L'intervenant responsable doit maintenir une liste à jour des intervenants qui ont lu ce manuel et qui sont autorisés à actionner et déplacer le fauteuil.

L'intervenant responsable du résident doit s'assurer que toute personne qui n'est pas familière, qui ne veut ou ne peut pas se conformer à ses directives de sécurité et de fonctionnement, ne soit autorisée à actionner ou déplacer le fauteuil.

Le fauteuil doit être actionné par l'intervenant responsable du positionnement assis du résident. Tout positionnement ou ajustement doit être effectué de sorte à assurer la sécurité, le confort et le bien-être du résident, de l'intervenant et des tierces personnes. Tout positionnement ou ajustement requis pour le résident doit être déterminé par l'intervenant responsable du positionnement assis.

2.2 Application

Les fauteuils BRODA sont exclusivement destinés aux résidents des établissements de soins de longue durée qui reçoivent les soins d'intervenants professionnels. La convenance d'un fauteuil BRODA doit être déterminée par un intervenant qualifié qui est au courant des besoins en positionnement assis du résident en cause. Toute autre utilisation du fauteuil exclut une éventuelle possibilité de réclamation pour responsabilité.

Les fauteuils ne sont pas résistants aux explosions et ne doivent pas être utilisés en présence de gaz ou liquides inflammables (par exemple : produits anesthésiants, solvants et nettoyants volatiles, etc.).

Les fauteuils BRODA sont conçus pour être utilisés avec les pièces et accessoires spécifiques BRODA. L'utilisation de pièces ou d'accessoires autres que BRODA sur un fauteuil BRODA annulera la garantie et exclura une éventuelle possibilité de réclamation pour responsabilité.

Les fauteuils BRODA doivent être utilisés tels que décrits dans ce manuel et selon les pratiques reconnues en soins de santé, sécurité des lieux de travail et prévention des accidents.

2.3 Expédition et entreposage

Les fauteuils BRODA devraient être expédiés et entreposés en position verticale, et ne pas être empilés plus de trois unités de haut. Aucun autre matériel ne devrait être expédié ou entreposé par-dessus une boîte BRODA. Les boîtes BRODA ne devraient pas être placées sur des palettes.

Les fauteuils BRODA devraient être expédiés et entreposés à des températures se situant entre -20 et 40 °C. Les fauteuils BRODA ne devraient pas être utilisés avant d'avoir atteint des températures se situant entre 0 et 30 °C.

Les fauteuils BRODA devraient être maintenus dans un environnement propre et sec. Ne laissez pas les fauteuils BRODA dehors, car cela pourrait faire écailler la peinture.

Sur réception, la boîte d'expédition doit immédiatement être examinée pour déceler un éventuel dommage. Tout dommage devrait être noté sur le bon de livraison, et une demande d'inspection par la compagnie de transport devrait être faite. Ensuite, la boîte d'expédition devrait être ouverte et le fauteuil examiné pour déceler un dommage non apparent occasionné par l'expédition. Si le fauteuil semble être endommagé, ne pas l'utiliser. Rédigez un rapport de dommage non apparent à l'attention de la compagnie de transport.

2.4 Vérification avant la mise en service

Les fauteuils BRODA sont livrés entièrement assemblés. Si le fauteuil ne semble pas être en état de fonctionnement au moment de sa réception, communiquez immédiatement avec votre fournisseur, et ne mettez le fauteuil en service que lorsque vos préoccupations auront été résolues.

Inspectez visuellement le fauteuil pour déceler un dommage, des pièces manquantes et des fixations desserrées avant de tester les fonctions du fauteuil. L'essai de fonctionnalité du fauteuil doit être complété avec succès après l'inspection visuelle et avant la première utilisation. Ces obligations s'appliquent à la première utilisation du fauteuil et à toutes les utilisations subséquentes (Section 4: Inspection et essai de fonctionnalité).

2.5 Risques

2.5.1 Position du fauteuil - « Risque de tomber »

Après le transfert du résident dans le fauteuil, évaluer le degré d'inclinaison nécessaire. nous recommandons que le siège de la présidence est incliné suffisamment pour aider à prévenir le résident de glisser ou de tomber de sa chaise. Le degré d'inclinaison du siège devrait être déterminé par l'intervenant responsable du positionnement assis du résident.

Nous recommandons que les pieds du résident soient correctement placés sur les repose-pieds, de légèrement à complètement élevé, pour l'empêcher de glisser ou de tomber par en avant. Le degré d'élévation devrait être déterminé par l'intervenant responsable du positionnement assis du résident.

2.5.2 Position d'inclinaison du siège - « Risque de tomber »

Nous recommandons que le siège du fauteuil soit incliné suffisamment pour empêcher un résident agité de faire basculer le fauteuil par en avant ou par en arrière, ou de se pencher et glisser dans le fauteuil. Le degré d'inclinaison du siège devrait être déterminé par l'intervenant responsable du positionnement assis du résident. Assurez-vous toujours que le résident est correctement positionné avant d'incliner le siège.

2.5.3 Emplacement du fauteuil - « Risque de basculer ou de faire tomber des objets »

Nous recommandons qu'une fois arrivé à destination, le fauteuil soit placé à un endroit où le résident ne pourra agripper une main courante ou un autre objet, fixe ou mobile. Cette procédure vise à empêcher le résident de tirer le fauteuil ou de se hisser hors du siège, et à éviter qu'il dépose des objets sur le fauteuil et sur lui-même.

Nous recommandons que le fauteuil soit utilisé dans un endroit supervisé pour empêcher que des résidents non formés, des intervenants ou des tierces personnes effectuent une manœuvre non autorisée, un mouvement ou une action dangereuse telle que s'asseoir ou s'appuyer sur le dossier incliné, le repose-pieds élevé ou les accoudoirs. Donner libre cours à de telles actions expose le fauteuil au risque de basculer et à celui de l'endommager.

Nous recommandons que le fauteuil ne soit localisé que sur une surface à niveau afin de réduire le risque de basculer au minimum.

2.5.4 Freins de roue autobloquante à toutes positions - « Risque de tomber »

Les roulettes spéciales qui se trouvent sur les fauteuils BRODA sont équipées de freins qui bloquent à toutes les positions pour empêcher les roues de tourner et de pivoter. Les freins doivent toujours être appliqués quand :

- 1) le fauteuil n'est pas utilisé;
- 2) le fauteuil ne se fait pas déplacer par un intervenant;
- 3) le résident est transféré (déplacé) dans le fauteuil ou hors de celui-ci.

Il est important de noter que si les freins de roue sont appliqués lorsque le résident est dans le fauteuil, l'intervenant ne devrait pas laisser le résident sans surveillance, particulièrement s'il s'agit d'une personne qui a la capacité ou la tendance de déplacer le fauteuil et/ou qu'elle peut être agitée. Le résident pourrait se blesser s'il tente de déplacer le fauteuil alors que les freins de roue sont appliqués.

Il est à noter que l'action d'enlever ou de fixer le repose-pieds par l'intervenant peut se voir facilitée si les freins sont appliqués.

Le défaut de suivre ces directives augmentera inutilement le risque de chutes graves pour les résidents, les intervenants ou les tierces personnes, occasionnées par un fauteuil se déplaçant involontairement.

2.5.5 Repositionnement du résident - « Risque de se coincer »

Les fauteuils BRODA offrent les avantages de l'inclinaison du siège et du réglage de la hauteur des accoudoirs. Lors de l'actionnement de l'une ou l'autre de ces fonctions, les mesures de sécurité suivantes doivent être observées:

- 1) Les bras du résident doivent être placés sur les accoudoirs ou à l'intérieur de l'armature du fauteuil, les mains sur ou au-dessus de son corps.
- 2) Les pieds du résident doivent être positionnés correctement sur les repose-pieds.
- 3) Tous les freins du fauteuil doivent être appliqués.
- 4) Le fauteuil ne doit être actionné que par un seul intervenant à la fois.
- 5) Une seule fonction du fauteuil doit être actionnée à la fois.
- 6) Les roues arrière doivent être en position de déplacement, derrière l'armature du fauteuil.
- 7) Le corps des résidents et des intervenants doit être dégagé de tous les points de pincement potentiels avant d'actionner les fonctions du fauteuil.

Le défaut de suivre ces mesures de sécurité expose les membres des résidents ou des intervenants à des risques de blessure. Les résidents qui ne sont pas conscients de la position de leur corps ou qui ne peuvent maintenir une

position sécuritaire sont les plus exposés au risque de coinçage, et les intervenants doivent être plus prudents avec ces derniers. Un deuxième intervenant pourrait assurer la sécurité de ces résidents pendant les manoeuvres.

2.5.6 Mouvement involontaire - « Risque de tomber ou d'entrer en collision »

Nous recommandons les fauteuils BRODA pour un usage intérieur dans un établissement de soins de longue durée, et là où une pente n'est pas assez prononcée pour avoir recours à de l'aide pour les déplacer. Des fauteuils utilisés sur des surfaces inégales ou en pente représentent un risque de mouvements involontaires et peuvent devenir sérieusement dangereux pour le résident, le ou les intervenant(s) ou des tierces personnes. Nous recommandons que les fauteuils BRODA soient localisés loin des cages d'escalier, des ascenseurs et des entrées de porte extérieures dans un établissement de soins de longue durée.

2.5.7 Utilisation inappropriée d'une contention - « Risque de se blesser grièvement »

Nous recommandons que des solutions de rechange aux contentions physiques soient adoptées avec les résidents lorsqu'ils sont assis dans le fauteuil, sauf sur directives spécifiques de l'intervenant responsable du résident, et avec la permission de sa famille ou de son tuteur.

2.6 Utilisation inappropriée

Tel que décrit, l'utilisation inappropriée du fauteuil est dangereuse pour le résident, les intervenants ou les tierces personnes. Cette utilisation comporte, sans y être limitée, les actions suivantes :

- 1) actionnement non autorisé des fonctions du fauteuil;
- 2) déplacement non autorisé du fauteuil;
- 3) utilisation inadéquate du fauteuil pour un résident qui n'a pas été évalué par un intervenant qualifié responsable du positionnement assis;
- 4) défaut de replacer fréquemment le résident dans le fauteuil;
- 5) tenter d'actionner simultanément plusieurs fonctions du fauteuil, par un ou plusieurs intervenant(s);
- 6) tenter de déplacer le fauteuil alors que les freins sont appliqués;
- 7) laisser le résident sans surveillance dans le fauteuil à proximité d'autres objets;
- 8) laisser un résident agité dans un endroit non supervisé;
- 9) laisser un résident sans surveillance;
- 10) laisser un résident dans un fauteuil sur une surface en pente;
- 11) laisser un fauteuil sans surveillance sur une surface en pente;
- 12) utiliser des accessoires autres que BRODA sur le fauteuil;
- 13) utiliser le fauteuil à des températures inférieures à 0 °C;
- 14) utiliser le fauteuil pour tout autre usage que ceux pour lesquels il est conçu.

2.7 Nettoyage

Les fauteuils BRODA devraient être nettoyés avec de l'eau et du savon, puis essuyés. Un nettoyeur domestique dilué à base d'ammoniaque fort ou de chlore, ainsi qu'un nettoyeur homologué pour les hôpitaux peuvent être utilisés au besoin.

Pour de meilleurs résultats de nettoyage, certaines pièces du fauteuil devraient être enlevées. Les directives pour l'enlèvement des pièces suivantes se retrouvent dans ce manuel. Assurez-vous de nettoyer complètement le fauteuil, incluant ses parties fixes et amovibles.

Portez une attention particulière à l'armature, aux douilles, fixations, pièces et roulettes pour un nettoyage uniforme et soigné.

Si désiré, enlevez les pièces suivantes pour le nettoyage:

- 1) Le siège d'aisance
- 2) Les accoudoirs pivotants/amovibles
- 2) Le repose-pieds
- 3) La bassine et le panier.

Nettoyez soigneusement toutes les pièces amovibles et le rembourrage, ainsi que l'armature et les composantes autour des pièces et du rembourrage qui ont été enlevés. Pour maintenir le bon fonctionnement des cylindres au gaz, nous recommandons de les lubrifier après chaque usage. Une graisse de classe alimentaire doit être utilisée. Des solvants comme ceux qui se retrouvent dans les lubrifiants en aérosol ne devraient pas être utilisés

Les fauteuils BRODA ne devraient pas être nettoyés avec des nettoyeurs à base de pétrole. Tout produit à base de pétrole entrant en contact avec n'importe quelle surface de vinyle devrait être enlevé aussi rapidement que possible.

La fréquence et la méthode de nettoyage des fauteuils devraient être déterminées par les protocoles de contrôle des infections de l'établissement. S'il est visiblement souillé, nettoyez immédiatement le fauteuil soigneusement selon les directives de nettoyage de ce manuel.

Les directives de nettoyage de ce manuel n'existent qu'à titre indicatif. Les résultats peuvent varier dans des conditions réelles. L'information ne dégage pas l'utilisateur d'un usage approprié et sécuritaire du fauteuil et des produits nettoyeurs, ni des considérations générales d'entretien et de nettoyage de celui-ci. Les directives de nettoyage et de soin doivent être suivies conjointement avec les protocoles de contrôle des infections de l'établissement.

BRODA n'acceptera pas les réclamations de garantie sur les fauteuils qui n'auront pas été nettoyés selon ces directives ou entretenus de façon à préserver la sécurité et l'hygiène du résident, des intervenants et des tierces personnes. L'utilisation de certaines substances peut nuire à l'apparence et la durée de vie du vinyle. BRODA n'assume aucune responsabilité résultant de l'utilisation de tels produits de nettoyage sur le vinyle.

De la peinture pour retouches est disponible pour l'armature peinte par pulvérisation. Veuillez appeler le service à la clientèle de BRODA si des retouches de peinture sont nécessaires. Ne laissez pas les fauteuils BRODA dehors, car l'armature n'est pas protégée contre les rayons UV. Laisser les fauteuils dehors pourra faire écailler la peinture.

2.8 Entretien

L'entretien sur un fauteuil BRODA variera en fonction de son utilisation et de l'état du résident en faisant usage.

En usage régulier, après l'inspection initiale et l'essai de fonctionnalité, le fauteuil devrait être inspecté et examiné bimensuellement. Nous recommandons une inspection visuelle régulière pour détecter des signes d'usure, des dommages, des fixations desserrées ou manquantes et autres préoccupations de sécurité. Un essai périodique des fonctions du fauteuil se révèle également nécessaire. Si un bris, une défectuosité ou un problème opérationnel sont détectés, le fauteuil doit être convenablement réparé, inspecté et testé avant d'être remis en service.

Le fauteuil devrait être inspecté et examiné aussi souvent qu'à chaque utilisation s'il est utilisé par :

- 1) des résidents agressifs ou agités;
- 2) des résidents qui se livrent à des mouvements involontaires;
- 3) des résidents pesant plus de 220 livres;
- 4) un établissement comportant des surfaces irrégulières ou en pente;
- 5) toute personne non autorisée.

N'utilisez aucun lubrifiant contenant des solvants. Ces derniers peuvent endommager toute composante en caoutchouc du fauteuil. Si nécessaire, une graisse blanche ou un lubrifiant de classe alimentaire peuvent être utilisés sur toutes composantes coulissantes.

3 ACTIONNEMENT ET DÉPLACEMENT

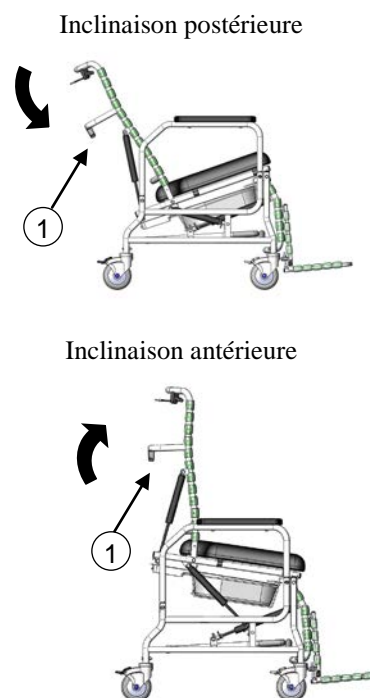
Les mesures de sécurité décrites à la Section 1 doivent être observées lors de l'actionnement des fonctions du fauteuil ou lors de son déplacement. Seuls les intervenants autorisés devraient actionner ou déplacer le fauteuil. L'intervenant doit utiliser une bonne mécanique corporelle lors de l'utilisation du fauteuil, et il doit être paré à soutenir le poids du résident tout en actionnant le fauteuil.

3.1 Inclinaison du siège – Postérieure et antérieure

Le siège peut être incliné à n'importe quelle position, de la plus relevée à la plus basse dans son rayon d'action. Cette fonction vient assister l'intervenant lors du changement de position du résident, minimisant ses risques de tomber ou de glisser tout en augmentant son confort. L'inclinaison antérieure rend le transfert assis/débout plus sécuritaire.

Pour actionner l'inclinaison du siège :

- Placez votre main droite sur la barre pour aider le mouvement et appuyez sur la poignée d'inclinaison avec votre main gauche.
- Élevez ou abaissez le siège jusqu'à ce que l'angle désiré soit atteint.



3.2 Allongement du dossier

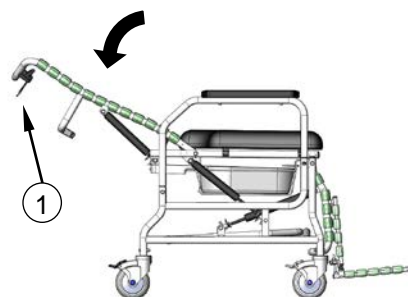
Le dossier peut être allongé à n'importe quelle position, de la plus relevée à la plus basse dans son rayon d'action. Utilisez l'allongement du dossier pour positionner le résident, pour vous aider à laver la région abdominale et pour lui laver les cheveux.

ATTENTION : Toujours incliner légèrement le fauteuil avant de l'allonger pour empêcher le résident de glisser.

Pour actionner l'allongement du dossier :

- Placez votre main droite sur la barre d'inclinaison et appuyez sur la poignée d'allongement avec votre main gauche.
- Élevez ou abaissez le dossier jusqu'à ce que l'angle désiré soit atteint.

ATTENTION : Ne pas actionner les poignées d'inclinaison et d'allongement en même temps.



3.3 Élévation du repose-jambes

Les cylindres au gaz permettent de positionner le repose-jambes à n'importe quelle position de l'horizontale à la verticale. Le repose-jambes s'élève indépendamment de l'inclinaison du dossier.

Pour ajuster le repose-jambes :

- Tenez le repose-jambes pour accompagner le mouvement et appuyez sur la poignée du repose-jambes.
- Élevez ou abaissez le repose-jambes jusqu'à l'angle désiré.



3.4 Repose-pieds repliable

Le repose-pieds est amovible et sa longueur est ajustable.

Pour fixer le repose-pieds :

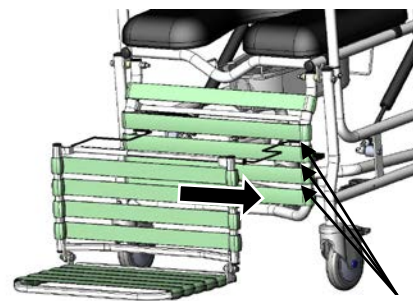
- Insérez l'extrémité droite de la tige d'accouplement supérieure du repose-pieds dans le trou approprié de l'armature droite du repose-jambes.
- Insérez l'extrémité gauche de la tige d'accouplement supérieure du repose-pieds dans le trou correspondant de l'armature droite du repose-jambes.

ATTENTION : Ne pas se tenir debout sur la palette du repose-pieds.

- Relâchez la tension du mécanisme à ressort.

Pour enlever le repose-pieds :

- Levez légèrement le repose-pieds pour distancer les courroies du repose-pieds et le repose-jambes.
- Poussez le repose-pieds sur la droite pour actionner le mécanisme à ressort et enlever les côtés gauche et droit.



Intervalles
d'ajustement
de la longueur

3.5 Accoudoirs pivotants/amovibles

Les accoudoirs pivotants amovibles permettent un accès latéral pour faciliter des transferts sécuritaires et sans difficulté.

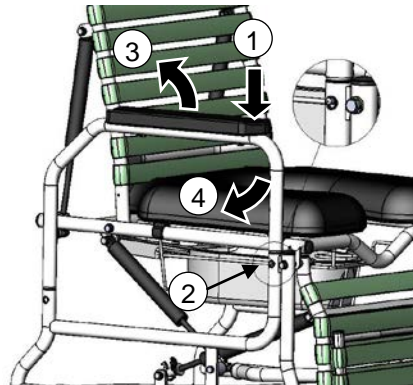
Pour enlever les accoudoirs :

- Exercez une pression vers le bas sur l'avant de l'accoudoir tout en appuyant sur le bouton du panneau latéral jusqu'à ce qu'il se déclenche.

- Faites pivoter le panneau latéral complètement ou retirez-le.

Pour installer les accoudoirs :

- Insérez l'extrémité arrière du panneau latéral dans le réceptacle arrière.



3.6 Siège d'aisance amovible

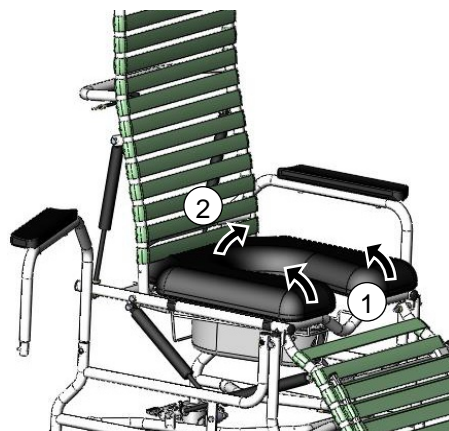
Pour enlever le siège d'aisance :

- Relevez l'avant du siège d'aisance pour déclencher les fixations de l'armature avant.

- Relevez l'arrière du siège d'aisance pour déclencher les fixations de l'armature arrière.

Pour installer le siège d'aisance :

- Placez directement le siège sur l'armature du fauteuil, **en vous assurant que toutes les fixations sont bien bloquées en place.**



3.7 Bassine d'aisance amovible

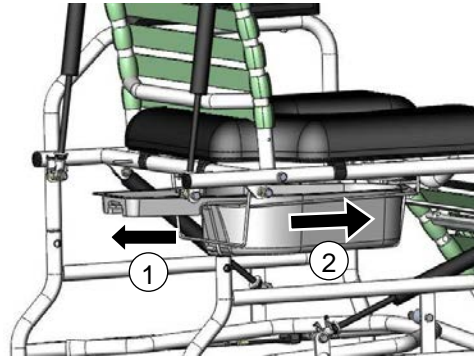
La bassine d'aisance et son panier de fixation sont amovibles pour utiliser le fauteuil au-dessus d'une toilette.

Pour enlever la bassine d'aisance :

- Soulevez la bassine pour désengager ses crochets du panier.
- Tirez le panier vers l'arrière du fauteuil.
- Soulevez légèrement la bassine en maintenant le niveau afin de libérer ses crochets du panier.

Pour installer la bassine d'aisance :

- Insérez les crochets avant de la bassine dans le panier.
- Poussez la bassine jusqu'au fond du fauteuil.
- Engagez les crochets arrière de la bassine d'aisance sur le panier afin de la fixer en place.



3.8 Panier de bassine amovible

Le panier de bassine qui maintient la bassine d'aisance solidement en position, est amovible pour nettoyage.

Pour installer le panier de bassine :

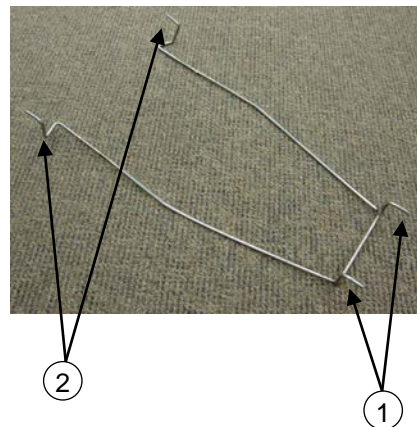
- En vous tenant à l'avant du fauteuil, insérez l'extrémité du panier avec les courtes tiges d'accouplement dans les trous situés à l'avant du fauteuil, du côté intérieur de l'armature. En insérant la partie avant du panier, assurez-vous que la partie arrière de celui-ci se trouve sous l'armature transversale arrière du fauteuil.

- Insérez le panier dans les trous situés du côté intérieur de l'armature transversale arrière. Vous devrez forcer légèrement le panier vers le bas pour le faire rentrer dans les trous.

- Une fois que le panier est inséré dans les trous de l'armature transversale, relâchez la tension sur le panier et laissez-le prendre sa place.

Pour enlever le panier de bassine :

- En vous tenant à l'avant du fauteuil, retirez le panier de l'armature transversale arrière. Vous devrez forcer légèrement le panier vers le bas pour le dégager des trous. Retirez le panier par l'avant du fauteuil.



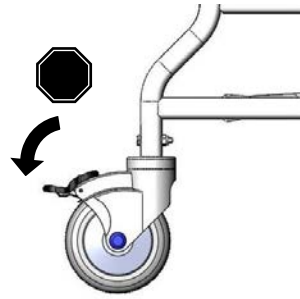
3.9 Roulettes

Le fauteuil CS 385 est équipé de trois roulettes en acier inoxydable de 5" autobloquantes à toutes positions et de une roulette en acier inoxydable de 5" autobloquante directionnelle.

Pour actionner les roulettes :

Appuyez sur l'avant ou l'arrière de la pédale pour bloquer ou débloquer la roulette.

Assurez-vous toujours que les freins sont débloqués lorsque vous déplacez le fauteuil.



3.10 Appui-tête

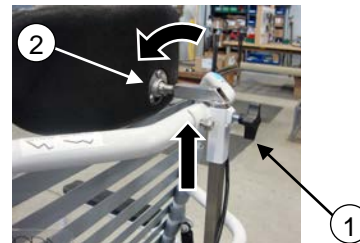
La hauteur et l'angle de l'appui-tête rembourré du fauteuil CS 385 sont réglables afin de mieux s'adapter aux différents utilisateurs.

Pour régler la hauteur de l'appui-tête :

- Desserrez la poignée de l'appui-tête.
- Montez ou descendez l'appui-tête selon la hauteur désirée pour l'utilisateur.
- Serrez la poignée pour fixer l'appui-tête en place.

Pour régler l'angle de l'appui-tête :

- Utilisez la bonne dimension de clé Allen pour desserrer les vis à billes.
- Réglez l'angle de l'appui-tête selon les besoins de l'utilisateur.
- Serrez les vis à billes pour fixer l'appui-tête en place.



3.11 Accessoires (en option)

Nous recommandons les accessoires BRODA seulement sur les fauteuils BRODA. L'installation adéquate d'un accessoire BRODA est très importante. Nous recommandons que le fauteuil BRODA soit commandé avec les accessoires requis déjà installés. Seuls les intervenants qui connaissent à fond les procédures d'installation des accessoires devraient installer leurs accessoires BRODA sans l'assistance du représentant BRODA de leur région. BRODA ne recommande pas l'utilisation des accessoires d'un autre fabricant sur les fauteuils BRODA.

4 INSPECTION ET ESSAI DE FONCTIONNALITÉ

Les mesures de sécurité décrites à la Section 1 doivent être observées au moment de l'inspection ou de l'essai de fonctionnalité du fauteuil. Seuls les intervenants autorisés ou le personnel d'entretien devraient inspecter ou tester un fauteuil.

4.1 Inspection

Nous recommandons une inspection visuelle régulière pour détecter des signes d'usure, des dommages, des dispositifs desserrés ou manquants et autres préoccupations de sécurité. Si un bris, une défectuosité ou un problème opérationnel sont détectés, le fauteuil doit être réparé, inspecté et testé avant d'être remis en service.

Nous recommandons que le fauteuil soit inspecté aussi souvent qu'à chaque utilisation si quelque raison pousse à envisager la possibilité d'une usure prématurée, d'un desserrage ou d'un démantèlement de certains dispositifs. **Au minimum, en usage régulier, le fauteuil devrait être inspecté sur une base bimensuelle.** La procédure d'inspection visuelle devrait au moins comprendre l'observation de chaque dispositif (fixations) :

La procédure d'inspection visuelle devrait au moins inclure l'observation des pièces suivantes :

- 1) les cylindres qui positionnent l'inclinaison du siège, l'allongement du dossier et l'élévation indépendante du repose-jambes;
- 2) les courroies de vinyle qui composent le siège, le dossier, le repose-jambes et le repose-pieds;
- 3) les poignées noires et les câbles;
- 4) les fixations sur le siège d'aisance.

La procédure d'inspection visuelle devrait inclure l'observation de tous les accessoires installés. L'inspection visuelle devrait être effectuée par l'établissement ou, dans le cas d'une résidence privée, par l'individu responsable du fauteuil.

4.2 Essai de fonctionnalité

Nous recommandons que les fonctions du fauteuil soient tout d'abord testées avant d'y asseoir un résident.

Ces essais peuvent devoir être réalisés aussi souvent qu'à chaque utilisation si quelque raison pousse à envisager la possibilité d'une usure prématurée ou d'un dommage aux composantes du fauteuil. Au minimum, en usage régulier, les fonctions du fauteuil devraient être testées selon les directives de la Section 3.

Si l'intervenant ou le personnel d'entretien responsable des essais considèrent que n'importe quelle fonction ne s'effectue pas correctement, le fauteuil doit être mis hors service jusqu'à ce qu'un essai de fonctionnalité se révèle concluant.

L'intervenant ou le personnel d'entretien responsable des essais doivent savoir que l'inclinaison du siège, l'allongement du dossier et l'élévation du repose-pieds (repose-jambes) seront effectués plus difficilement sans un résident dans le fauteuil. Au moment des réparations ou de l'entretien, ne pas utiliser de lubrifiants contenant des solvants. Ces derniers endommageront plusieurs composantes mobiles dans le fauteuil. Si nécessaire, de la graisse (lubrifiante) blanche de classe alimentaire peut être utilisée sur les composantes coulissantes. N'appliquer de lubrifiants en aérosol sur aucune pièce.

5 INFORMATION TECHNIQUE

5.1 Spécifications

Caractéristiques standard du fauteuil de douche et d'aisance CS 385





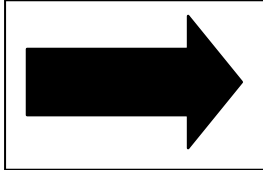
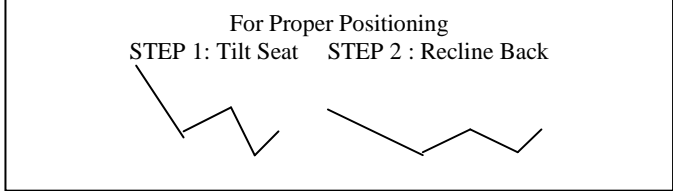
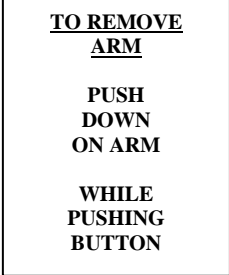

1. Allongement du dossier : Jusqu'à 67° d'allongement du dossier (ajustable à toutes positions)
2. Inclinaison du siège : Jusqu'à 12° d'inclinaison postérieure du siège (ajustable à toutes positions)
Jusqu'à 10° d'inclinaison antérieure du siège (ajustable à toutes positions)
3. Armature : Acier inoxydable de calibre 16 recouvert de peinture en poudre pulvérisée
4. Surface du fauteuil : Siège d'aisance amovible coussiné avec housse en mousse d'uréthane étirable dans les 4 directions

Les courroies BRODA Comfort Tension Seating™ de 1,5" de largeur par 0,130" d'épaisseur sur le dossier, le repose-jambes et le repose-pieds, comportent un fongicide, ont une mémoire de forme et sont ignifuges.
5. Accoudoirs : Pivotants et amovibles
6. Repose-jambes : Le repose-jambes s'ajuste indépendamment du dossier
Le repose-jambes s'ajuste à n'importe quel angle entre l'horizontale et la verticale
7. Repose-pieds : Repose-pieds séparé repliable amovible/ajustable
8. Bassine : Bassine d'aisance amovible avec poignée, panier de bassine amovible
9. Roulettes : Trois roulettes en acier inoxydable de 5" autobloquantes à toutes positions et une roulette en acier inoxydable de 5" autobloquante directionnelle
10. Profondeur du siège : 18"
11. Hauteur du siège : 24,5"
12. Largeur du siège : 18", 22"
13. Largeur hors tout : 24,5" (18" Largeur du siège), 28,5" (22" Largeur du siège)
14. Capacité de charge : 400 lb
15. Poids total : Approx. 85 lb avec les caractéristiques standard
16. Appui-tête : La hauteur et l'angle de l'appui-tête rembourré du fauteuil CS 385 sont réglables afin de mieux s'adapter aux différents utilisateurs.

Toutes les dimensions comportent un jeu de $\pm 0,5''$.

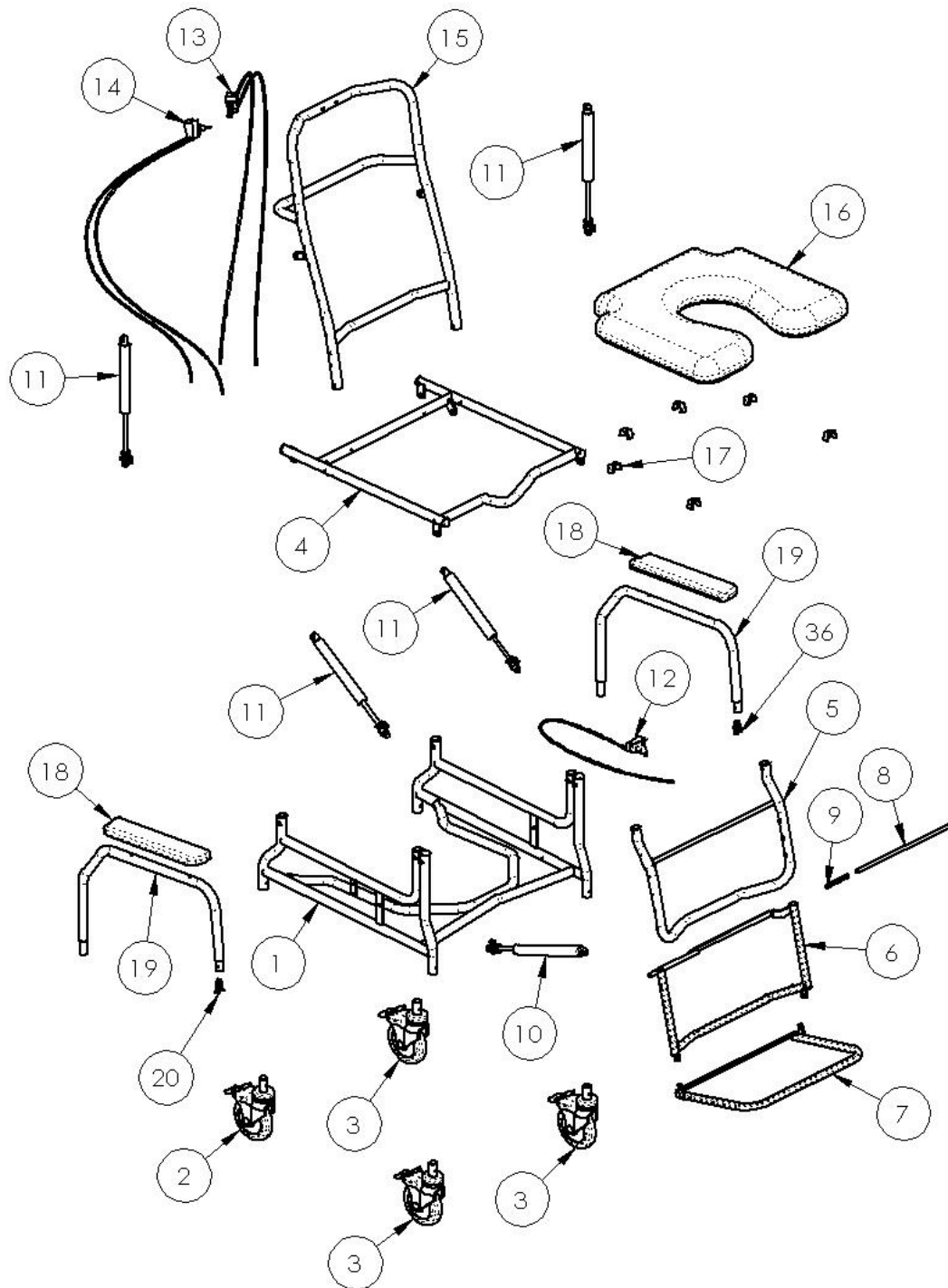
5.2 Étiquettes

BRODA utilise certaines étiquettes pour aider les intervenants à repérer et identifier les éléments qui permettent l'actionnement des fonctions du fauteuil.

<p>Étiquette du fabricant (blanc)</p> 		<p>Étiquette du numéro de série (gris)</p> 
<p>Étiquette pour l'allongement (bleu)</p> 	<p>Étiquette pour l'inclinaison (beige)</p> 	<p>Étiquette du point de fixation du repose-pieds (blanc)</p> 
<p>Étiquette d'inclinaison et d'allongement (blanc)</p> 		<p>Étiquette de l'accoudoir amovible (gris)</p> 
<p>Roulette Directionnelle.(verte)</p> 		

5.3 Vue explosive des pièces du fauteuil CS 385 de BRODA

January 1, 2012



Numéros de référence des pièces du schéma du fauteuil CS 385 de Broda

#	Description	N° de la pièce
1.	Base Frame CS385 (width)	BASE-CS385
2.	Caster 5 Stainless Steel Directional Lock	CASTER-5"DL-SS
3.	Caster 5 Total Lock Stainless Steel	CASTER-5"TL-SS
4.	Seat Frame CS385 V2 (width)	SEAT-CS385V2
5.	Legrest Frame for CS385(width) (color)	LGRT-CS385
6 & 7.	Footrest Frame Single CS385 (3 or 4 strap) (width) (color)	F-SINGLE-CS385
8.	Frame Foot Rod (width)	F-ROD
9.	Footrest Spring 3.25 Long	F-SPRING
10.	Cylinder gas spring 300N and Actuator w/lever	CYLSS-LOCK-KIT
11.	Cylinder gas spring 270N and Actuator w/lever	CYLSS-LOCK-KIT
12.	Cable and Handle Assembly (cable length 48)	CABLE-HAND
13.	Double Cable and Handle Assembly (cable length 32)	CABLE-HAND-DBL
14.	Double Cable and Handle Assembly (cable length 48)	CABLE-HAND-DBL
15.	Back Frame CS385 (width)	BACK-CS385
16.	Seat Commode Padded CS385 (size)	SEAT-PD-CS385
17.	Clips for Padded Seat	CLIP-PD
18.	Armrest Soft	AR
19.	Arm Top Frame CS385	ARM-TOP-CS385
20.	Spring for Armbottoms/wings	DETENT-PIN

Spécifier Largeur du siège: 18", 22"

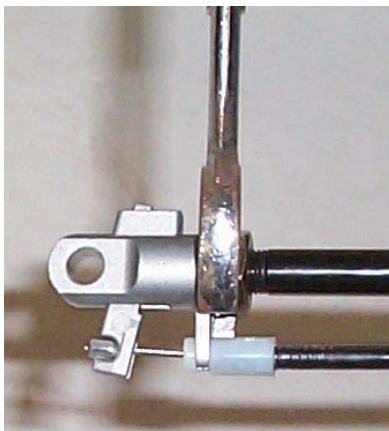
6 DÉPANNAGE COURANT ET RÉPARATION

Nous vous prions d'avoir le numéro de série du fauteuil à portée de main lorsque vous communiquez avec BRODA ou le représentant de votre région pour des pièces ou de l'assistance. Le numéro de série se trouve sur une étiquette grise apposée au dos du fauteuil.

6.1 Dépannage pour cylindres au gaz

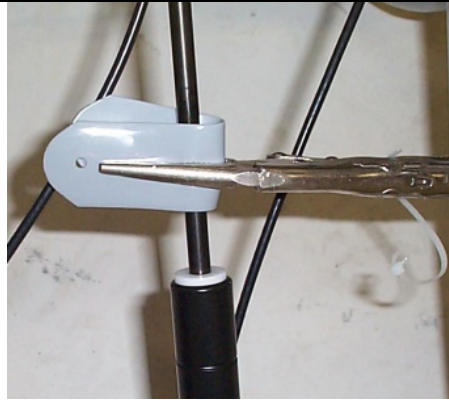
L'utilisation d'amortisseurs au gaz (cylindres) sur les produits BRODA permet de réduire les efforts de l'intervenant au minimum lors des ajustements d'inclinaison du siège, d'allongement du dossier et d'élévation du repose-jambes, qu'il peut ainsi effectuer facilement. Les cylindres sont remplis d'azote, un gaz ni inflammable ni toxique. Les cylindres procurent une force de levage qui fait contreponds sur l'occupant, réduisant ainsi le poids devant être soulevé par l'intervenant.

Symptôme	Problème	Solution
Le fauteuil ne s'allonge pas, ne s'incline pas ou le repose-jambes ne bouge pas en appuyant sur la poignée.	La goupille à l'extrémité du cylindre n'est pas enfoncée en appuyant sur la poignée.	Assurez-vous que le câble est bien fixé au vérin du cylindre. Si le câble y est fixé, voir les étapes d'ajustement ci-dessous.
Le fauteuil (inclinaison, allongement ou repose-jambes) semble être lent à changer de position.	La goupille à l'extrémité du cylindre peut être partiellement enfoncée.	Voir les étapes d'ajustement ci-dessous.

Étapes d'ajustement	
<ul style="list-style-type: none"> - Desserrez le contre-écrou situé sur la tige du cylindre au gaz, à côté du vérin (clé 17 mm ou 11/16"). - Selon le diagnostic du point précédent, déterminez si vous devez enrouler la tige davantage dans le vérin ou hors du vérin. Enroulez la tige davantage dans le vérin si le fauteuil ne s'incline pas ou ne s'allonge pas (enroulez dans le sens horaire). Vous devez enrouler la tige davantage hors du vérin si le fauteuil est lent à changer de position (enroulez dans le sens anti-horaire). - Enroulez la tige un demi-tour dans la bonne direction. - Vérifiez le fonctionnement du cylindre, et répétez les étapes ci-dessus jusqu'à ce qu'il fonctionne correctement. - Resserrez le contre-écrou desserré à la première étape. - Si l'ajustement du cylindre ne règle pas le problème, il se peut qu'il doive être remplacé. Nous vous prions alors de communiquer avec BRODA ou avec le représentant de votre région. 	 <p>Note : Le cylindre n'a pas besoin d'être enlevé du fauteuil pour faire cet ajustement.</p>

Note : Lors de l'ajustement des cylindres avec des outils qui rentrent en contact avec les tiges du cylindre, il importe de recouvrir la tige d'un morceau de courroie en vinyle, de caoutchouc ou d'un autre matériau de protection pour garder la surface coulissante de la tige intacte. Si la tige est éraflée ou marquée, cela endommagera le joint d'étanchéité du cylindre et l'endommagera.

Endommager un cylindre de cette façon annulera la garantie du fabricant.



7 GARANTIE

BRODA SEATING **GARANTIE**

BRODA fournit une garantie de trois ans sur l'armature du fauteuil, et une garantie de un an sur les autres composantes, sous réserve des conditions suivantes :

Aucune garantie sur les coussins de siège et les housses en tissu.

Les armatures de fauteuil sont garanties pendant une période de trois ans contre les défauts ou les bris structurels. Toutes les autres pièces (à l'exception des coussins de siège et des housses en tissu), incluant mais sans y être limité, les courroies, coussins, amortisseurs au gaz et fixations, roulettes, roues, freins et accoudoirs sont garanties pièces et main-d'œuvre pendant une période de un an contre les défauts, dans des conditions d'utilisation normale dans une institution. La garantie ne couvre pas les dommages malveillants ou délibérés ni les dommages occasionnés par de l'abus. La garantie ne couvre pas l'utilisation des fauteuils BRODA dans une douche ou une piscine, à l'exception de la chaise d'aisance/douche BRODA.

Les modifications des produits BRODA pour l'utilisation d'accessoires autres que BRODA annulent la garantie. Cette garantie ne couvre pas les dommages occasionnés par l'expédition (voir ci-dessous).

BRODA fournira des pièces neuves ou remises à neuf à installer par le propriétaire, sans frais, après avoir reçu la confirmation de leur remplacement par le représentant BRODA régional ou le représentant du service à la clientèle du siège social de BRODA. Sur demande, les pièces défectueuses devront être retournées à l'usine dans les trente jours suivant la réception des pièces de remplacement par le propriétaire. Si les pièces défectueuses ne sont pas retournées à la demande de BRODA, le propriétaire devra acquitter le coût des pièces de remplacement facturées par BRODA.

La garantie n'inclut pas le coût de la main-d'œuvre pour l'installation sur place des pièces sous garantie ou des réparations sous garantie. Le propriétaire doit retourner les produits pour remplacement ou réparation sous garantie à BRODA, en expédiant les articles prépayés et assurés à l'usine. Les travaux sous garantie effectués à l'usine incluent les pièces et la main-d'œuvre. Les pièces peuvent être réparées ou remplacées à la discrétion de BRODA. Tous les retours à l'usine requièrent une autorisation préalable de BRODA.

BRODA se réserve le droit de faire des changements de conception et d'application sans préavis. Toutes les commandes seront traitées avec les modèles actuels BRODA, à moins d'indication contraire de la part de l'acheteur.

Les fauteuils BRODA sont conçus pour la mobilité, le positionnement et le confort du résident, spécialement en position assise, toutefois, l'application des produits BRODA doit demeurer la responsabilité de l'acheteur ou de l'utilisateur.

Cette garantie n'est pas transférable.

RETOURS

BRODA Seating n'acceptera aucun retour sans un numéro d'autorisation de retour de marchandises au préalable. Vous êtes priés de communiquer avec un représentant du service à la clientèle de notre siège social au 1-800-668-0637 pour de l'assistance. Les retours doivent être assurés lorsqu'ils sont expédiés.

LIVRAISON ENDOMMAGÉE

SIGNEZ TOUT DOMMAGE AU TRANSPORTEUR IMMÉDIATEMENT

Il est de la responsabilité de la personne qui accuse réception de la marchandise d'examiner les boîtes et leur contenu avant d'accepter leur réception. Notez tout dommage sur le bon de connaissance et remplissez un formulaire de réclamation si nécessaire. Signalez tout dommage non apparent au transporteur dans un délai maximum de 48 heures. .

BRODA assure tous les produits pour les dommages en transit. Le défaut de signaler des dommages en transit au transporteur annulera l'assurance et la garantie de BRODA. Si vous avez besoin d'assistance, vous êtes priés de communiquer avec notre siège social au 1-800-668-0637.

TAXES DE VENTE

La plupart des produits BRODA sont classés Zéro-T.P.S. et sont exempts de la taxe de vente provinciale au Canada. Les acheteurs peuvent devoir vérifier avec le Bureau du fisc de leur province ou État pour valider les modalités d'impôt.



Manual de operaciones

Silla para cómodo/regadera Modelo CS 385



Distribuidor/ Representante: Este manual debe entregarse al cuidador responsable por esta silla y su ocupante.

Cuidador: Lea este manual por completo antes de usar esta silla y guárdelo para referencia a futuro.

Producto actual quizás sera diferente que los imagens en el Manual de Operaciones

Índice

ANTECEDENTES	1
INFORMACIÓN GENERAL	2
1 DEFINICIONES	3
2 REQUERIMIENTO DE SEGURIDAD	4
2.1 Capacitación	4
2.2 Aplicación	4
2.3 Envío y almacenaje	4
2.4 Revisión antes de poner la silla en servicio	5
2.5 Peligros	5
2.5.1 Posición de la silla - "Peligro de caída"	5
2.5.2 Posición de inclinación de la silla - "Peligro de volteo"	5
2.5.3 Ubicación de la silla - "Peligro de que objetos se volteen o caigan"	5
2.5.4 Frenos de ruedas con bloqueo total - "Peligro de caer"	5
2.5.5 Reposicionamiento del residente - "Peligro de pellizco"	6
2.5.6 Movimientos no intencionados - "Peligro de caer o chocar"	6
2.5.7 Uso inapropiado de sujeciones - "Riesgo de lesiones graves"	6
2.6 Uso inapropiado	6
2.7 Limpieza	7
2.8 Mantenimiento	8
2.9 Instrucciones específicas para los residentes	9
3 OPERACIÓN Y MOVIMIENTO	10
3.1 Inclinación del asiento - posterior y anterior	10
3.2 Reclinación del respaldo	10
3.3 Para elevar el descansa piernas	11
3.4 Descansapiés abatible	11
3.5 Brazos abatibles y removibles	12
3.6 Asiento removible del cómodo	12
3.7 Receptor removible del cómodo	13
3.8 Canasta removible del cómodo	13
3.9 Ruedas	14
3.10 Cabecera	14
3.11 Accesorios (Opciones)	15
4 INSPECCIÓN Y PRUEBAS DE FUNCIONES	16
4.1 Inspección	16
4.2 Pruebas funcionales	16
5 INFORMACIÓN TÉCNICA	17
5.1 Especificaciones	17
5.2 Etiquetas	18
5.3 Esquema de las piezas del modelo CS 385 de BRODA Seating	19
6 SOLUCIÓN DE PROBLEMAS COMUNES Y REPARACIONES	21
6.1 Solución de problemas para cilindros de gas	21
7 GARANTÍA	23

ANTECEDENTES

Felicitaciones por la compra de una silla BRODA y gracias por su confianza en nuestra empresa y nuestros productos.

BRODA asume un papel de líder al proporcionar funciones óptimas para el reposicionamiento y la movilidad de residentes de instituciones que ofrecen cuidados a largo plazo. Nuestras sillas no se parecen a las sillas tradicionales y ofrecen ventajas únicas de BRODA. Estamos seguros de que después de usar su silla BRODA se convencerá de que la calidad de vida de sus residentes mejorará en gran medida.

Este manual le ayudará a darle el mejor uso posible a la capacidad de su silla BRODA y garantizará que se familiarice rápidamente con su operación.

Después de leer este manual, si tiene cualquier pregunta sobre la operación segura y efectiva de su silla BRODA o sus accesorios, comuníquese con su representante local de BRODA o el personal de Servicio al cliente de nuestra Oficina principal para recibir ayuda adicional.

Oficina principal:

BRODA Seating

560 Bingemans Centre Drive

Kitchener, Ontario, Canadá N2B 3X9

Teléfono: (519) 746-8080 Llamada sin costo en Canadá/EE.UU.: 1-800-668-0637

Fax: (519) 746-8616

Correo electrónico: sales@brodaseating.com

Internet: www.brodaseating.com

INFORMACIÓN GENERAL

Este documento es una guía sobre la operación segura y efectiva de la silla BRODA.

La información en este manual debe seguirse en todo momento.

Todas las personas involucradas con la operación o el mantenimiento de la silla BRODA, incluso los parientes de los residentes, deben leer este manual de operaciones antes de usar la silla.

El cuidador primario del residente tiene la responsabilidad de asegurarse que todas las personas que no estén familiarizadas, que no quieran o no puedan seguir las instrucciones de seguridad y operación, no tienen permiso para operar o mover la silla.

Siempre debe haber una copia de este manual de instrucciones disponible.

BRODA no acepta responsabilidad alguna por daños, lesiones o accidentes ocasionados por errores de operación, mantenimiento inadecuado o por ignorar las instrucciones en este manual, incluso las instrucciones específicas para los residentes.

BRODA se reserva el derecho a hacer cambios en las especificaciones, dimensiones, funciones o componentes de sus productos sin previo aviso. Las presentaciones de los productos en este manual pueden ser distintas a los productos entregados.

Cada silla BRODA tiene un número de serie único para identificación que se debe conservar en la silla al igual que todos los registros del equipo.

1 DEFINICIONES

"BRODA" significa BRODA Enterprises Inc., haciendo negocio como BRODA Seating.

"Silla BRODA" se refiere a la silla para cómodo/regadera Modelo CS 385.

"Institución que ofrecen cuidados a largo plazo" se refiere a asilos, hospitales u otras instalaciones para el cuidado de la salud que ofrezcan cuidados de salud y atención personal a sus residentes de forma prolongada.

"Residente" se refiere a un individuo que vive en una institución que ofrece cuidados a largo plazo bajo el cuidado de cuidadores profesionales.

"Cuidador profesional" se refiere a doctores, enfermeras, terapeutas, asistentes de enfermería, asistentes de la salud y otros especialistas que trabajan en una institución que ofrece cuidados a largo plazo y brindan atención de la salud y personal a sus residentes.

"Cuidador" se refiere a cualquier persona en una institución que ofrece cuidados a largo plazo que cuenta con la capacitación apropiada para proporcionar cuidados o servicios al residente o la silla empleada por el residente y puede incluir los parientes o el tutor del residente.

"Inclinación de la silla" se refiere al cambio con relación al ángulo entre el asiento de la silla y el marco de la silla o el piso sin cambiar el ángulo relativo entre el respaldo y el asiento.

"Reclinar el respaldo" se refiere a cambiar el ángulo relativo entre el respaldo de la silla y el asiento.

"Elevación del descansapiés" y "Elevación del descansa piernas" se refiere a cambiar el ángulo relativo entre el descansapiés de la silla y/o el descansa piernas y el asiento.

"Transferencia" se refiere al movimiento de un residente a o desde la silla con la ayuda de su(s) cuidador(es).

"Transferencia mecánica" se refiere al movimiento de un residente a o desde la silla con la ayuda de su(s) cuidador(es) con el uso de un elevador para residentes u otro dispositivo de ayuda que soporte el peso del residente.

2 REQUERIMIENTO DE SEGURIDAD

2.1 Capacitación

El cuidador directamente responsable por el cuidado del residente debe leer este manual por completo antes de poner la silla en servicio.

Después de poner la silla en servicio, todos los nuevos cuidadores deben leer este manual por completo antes de operar o mover la silla.

Para fines de este manual, un pariente del residente que comparte la responsabilidad de su cuidado se considera un cuidador y está sujeto al mismo requerimiento antes de que el cuidador primario del residente le autorice operar o mover la silla.

Antes de su primer uso, el cliente debe hacer los arreglos para recibir un servicio sobre los requerimientos de operación y seguridad en este manual; el representante local de BRODA que proporcionó la silla debe otorgarlo para los cuidadores del residente.

El cuidador primario debe mantener una lista de los cuidadores que han leído este manual y quienes tienen autorizado operar y mover la silla.

El cuidador primario del residente tiene la responsabilidad de asegurarse que todas las personas que no estén familiarizadas, que no quieran o no puedan seguir las instrucciones de seguridad y operación, no tengan permiso para operar o mover la silla.

El cuidador primario del residente responsable por sentarlo debe llevar a cabo la operación de la silla. Todas las operaciones y los ajustes realizados deben hacerse de forma que se garantice la seguridad, comodidad y bienestar generales del residente, el cuidador y cualquier tercero. El cuidador primario del residente, responsable por sentarlo determina todas las operaciones y ajustes que se requieran para el residente.

2.2 Aplicación

Las sillas BRODA están diseñadas exclusivamente para residentes de instituciones que ofrecen cuidados a largo plazo bajo el cuidado de cuidadores profesionales. Un cuidador calificado, familiarizado con las necesidades de sentado del residente en particular, debe determinar la viabilidad de una silla BRODA. Todos los otros usos de la silla se excluyen de cualquier demanda por responsabilidad civil.

Las sillas no son resistentes a explosiones y no se deben utilizar en lugares donde haya gases o líquidos inflamables (por ejemplo, anestésicos, solventes y limpiadores volátiles, etc.).

Las sillas BRODA están diseñadas para uso con piezas y accesorios específicos de BRODA. El uso de piezas y accesorios distintos a los de BRODA con una silla BRODA invalidará la garantía y la excluye de posibles demandas de responsabilidad civil.

Las sillas BRODA solamente pueden emplearse como se describe en este manual y con atención adecuada a las prácticas reconocidas del cuidado de la salud y la seguridad en el sitio de trabajo y para prevención de accidentes.

2.3 Envío y almacenaje

Las sillas BRODA deben enviarse y almacenarse en posición vertical y sin estibar más de 3 cajas. No debe enviarse o almacenarse ningún otro material sobre una caja de BRODA. Las cajas de BRODA no deben colocarse en tarimas.

Las sillas BRODA deben enviarse y almacenarse a temperaturas entre -20°C y 40°C. Las sillas BRODA no deben usarse hasta tener temperaturas entre 0°C y 30°C.

Las sillas cómodo/regadera de BRODA deben secarse después de usarse. No deje las sillas BRODA en el exterior ya que puede ocasionar que la pintura se desprenda.

Una vez recibido, la caja del envío debe revisarse de inmediato por daños. Todos los daños deben anotarse en el recibo de entrega y se debe hacer una solicitud de inspección por parte de la empresa de transporte. Después, la caja del envío debe abrirse y se debe examinar la silla en busca de daños ocultos causados por el envío. Si la silla parece estar dañada, no la utilice. Haga un reporte de daños ocultos ante la empresa de transporte.

2.4 Revisión antes de poner la silla en servicio

Las sillas BRODA se entregan totalmente armadas. Si la silla no parece estar lista para su uso al recibirla, comuníquese de inmediato con su proveedor y no utilice la silla hasta que se hayan resuelto todas las inquietudes.

Inspeccione la silla de forma visual en busca de daños, piezas faltantes y sujetadores flojos antes de probar las funciones de la silla. Las pruebas funcionales deben realizarse con éxito después de la inspección visual y antes del uso. Estas obligaciones aplican para el primer uso de la silla y todos los usos siguientes (Sección 4: Inspección y pruebas funcionales).

2.5 Peligros

2.5.1 Posición de la silla - "Peligro de caída"

Después de transferir al residente sobre la silla, evaluar la cantidad de inclinación requerido para evitar que el residente resbale o se caiga hacia delante desde la silla. El cuidador del residente responsable por sentarlo debe determinar la cantidad de inclinación del asiento.

Recomendamos que los pies del residente se coloquen correctamente en el descansapie y de poco a totalmente elevados para evitar que el residente resbale o caiga hacia delante de la silla. El cuidador del residente responsable por sentarlo debe determinar la cantidad de elevación.

2.5.2 Posición de inclinación de la silla - "Peligro de volteo"

Recomendamos que el asiento de la silla se incline lo suficiente para prevenir que un residente inquieto voltee la silla hacia delante o hacia atrás, o que se resbale y caiga de la silla. El cuidador del residente responsable por sentarlo debe determinar la cantidad de inclinación del asiento. Asegúrese siempre que el residente está colocado correctamente antes de operar la inclinación del asiento.

2.5.3 Ubicación de la silla - "Peligro de que objetos se volteen o caigan"

Recomendamos que cuando un residente llegue a su destino, se coloque su silla donde el residente no pueda alcanzar pasamanos u otros objetos, fijos o móviles. De esta forma se evita que el residente jale la silla o se jale fuera del asiento y para evitar que el residente jale objetos móviles sobre la silla y él mismo.

Recomendamos que la silla se utilice en un área con supervisión para evitar que residentes, cuidadores o terceras personas sin capacitación realicen operaciones y movimientos no autorizados, o acciones no seguras como por ejemplo sentarse o inclinarse en el respaldo inclinado, descansapie elevado o los descansabrazos. Estas acciones, si no se evitan, ponen la silla en peligro de voltearse o daños a la silla.

Recomendamos que las sillas se coloquen solamente en superficies planas para minimizar el riesgo de voltearse.

2.5.4 Frenos de ruedas con bloqueo total - "Peligro de caer"

Las ruedas especiales utilizadas en la silla BRODA tienen frenos de bloqueo total que evitan que las ruedas den vuelta y se inclinen. Los frenos deben utilizarse siempre que:

- 1) la silla no esté en uso
- 2) el cuidador no está moviendo la silla
- 3) se esté transfiriendo (cambiando) a un residente a o desde la silla;

Es importante notar que si los frenos de las ruedas se utilizan cuando el residente está en la silla, el cuidador no debe dejar al residente sin atención, especialmente aquellos residentes que tienen la capacidad o la tendencia a mover la silla y/o los que pueden agitarse. Podría causarle daños al residente si intenta mover la silla mientras se utilizan los frenos de las ruedas.

Nótese que posiblemente sea más fácil para el cuidador desinstalar e instalar el descansapie con los frenos puestos.

No seguir estas instrucciones aumentará innecesariamente el riesgo de caídas graves de los residentes, cuidadores o terceros, ocasionado por sillas puestas en movimiento involuntariamente.

2.5.5 Reposicionamiento del residente - "Peligro de pellizco"

Las sillas BRODA ofrecen los beneficios de inclinación de la silla, reclinación del respaldo, elevación del descanso piernas/pies y brazos móviles. Durante el movimiento de cualquiera de estas funciones deben observarse las siguientes medidas de seguridad:

- 1) Los brazos del residente deben colocarse sobre los descansabrazos o dentro del marco con sus manos sobre su cuerpo.
- 2) Los pies del residente deben estar correctamente colocados en el descansapiés.
- 3) Todos los frenos de la silla deben estar puestos.
- 4) Solamente un cuidador intenta operar las funciones de la silla.
- 5) Solamente se debe operar una función de la silla a la vez.
- 6) Las ruedas traseras están en la posición trasera, detrás del marco de la silla.
- 7) El cuerpo de los residentes y los cuidadores están alejados de todos los puntos de pellizco antes de operar las funciones de la silla.

No seguir estas medidas de seguridad puede poner las extremidades de los residentes o los cuidadores en riesgo de lesiones. Los residentes que no estén concientes de la posición de su cuerpo o que no sean capaces de mantener una posición corporal segura están en mayor riesgo de pellizcarse y los cuidadores deben tener más precaución con estos residentes. Es posible que se requiera un segundo cuidador para garantizar la seguridad de estos residentes durante estas operaciones.

2.5.6 Movimientos no intencionados - "Peligro de caer o chocar"

Recomendamos las sillas BRODA para uso en interiores en instituciones que ofrecen cuidados a largo plazo y en donde no haya pendientes suficientes para ocasionar que las sillas se muevan sin ayuda. Las sillas que se utilizan donde la superficie no es lisa o está inclinada tienen el riesgo de moverse sin que se desee y podrían convertirse en un gran peligro para los residentes, los cuidadores o un tercero. Recomendamos que las sillas BRODA se coloquen a distancia de escaleras, elevadores y puertas al exterior en las instituciones que ofrecen cuidados de largo plazo.

2.5.7 Uso inapropiado de sujeciones - "Riesgo de lesiones graves"

Recomendamos que se utilizan alternativas de sujeciones físicas con los residentes mientras estén sentados en la silla excepto bajo las instrucciones específicas del cuidador primario del residente y con el permiso de la familia o el tutor del residente.

2.6 Uso inapropiado

Como se indica, el uso inapropiado de la silla es peligroso para el residente, los cuidadores o terceras personas, y puede consistir, sin limitaciones, a lo siguiente:

- 1) Operación no autorizada de las funciones de la silla.
- 2) Movimiento no autorizado de la silla.
- 3) Uso inapropiado de la silla por parte de un residente que no ha sido evaluado por un cuidador calificado responsable por sentarlo.
- 4) No reposicionar al residente en la silla con frecuencia.
- 5) Intentar operar múltiples funciones de la silla de forma simultánea por parte de uno o más cuidadores.
- 6) Intentar mover la silla con el freno puesto.
- 7) Dejar al residente sin atención en la silla cerca de otros objetos.
- 8) Dejar a un residente inquieto en la silla en un área sin supervisión.
- 9) Dejar a un residente sin atención.
- 10) Dejar a un residente en una silla sobre una superficie con pendiente.
- 11) Dejar una silla sin atención en una superficie con pendiente.
- 12) Utilizar accesorios distintos a los de BRODA en la silla.
- 13) Usar la silla a temperaturas inferiores a 0°C.
- 14) Usar la silla para cualquier otro uso distinto al uso para el que se diseñó.

2.7 Limpieza

Las sillas BRODA deben limpiarse con jabón y agua. De ser necesario es posible usar limpiadores a base de amoníaco o cloro para uso casero diluidos, así como también limpiadores para hospitales.

Para obtener los mejores resultados de limpieza, es posible quitar ciertas partes. Las instrucciones para quitar las partes siguientes están en este manual: Asegúrese que toda la silla, incluso las partes removibles y no removibles, se limpien a conciencia.

Preste atención especial al marco, conexiones, sujetadores, piezas y ruedas, para obtener una limpieza profunda y total.

Remueva estas piezas para limpiarlas si así lo desea:

- 1) Asiento del cómodo
- 2) Brazos abatibles/removibles
- 2) Descansapiés
- 4) Receptor y charola del cómodo

Limpie perfectamente todas las piezas removibles y el acojinado, así como también el marco y los componentes alrededor de las piezas y el acojinado que se han removido. Para ayudar a mantener la función de los amortiguadores de gas, recomendamos mantenerlos lubricados después de cada uso. Se puede usar una grasa blanca de grado alimenticio. Los solventes como los contenidos en lubricantes en aerosol no deben usarse.

Las sillas BRODA no deben limpiarse con limpiadores a base de vaselina. Todos los productos a base de vaselina que entran en contacto con cualquier superficie de vinilo deben quitarse tan pronto como sea posible.

La frecuencia y el método de limpieza para las sillas deben determinarse mediante los protocolos de control de infecciones de la institución. Si la silla está visiblemente sucia límpiela bien de inmediato conforme a las instrucciones de limpieza de este manual.

Las instrucciones de limpieza en este manual son lineamientos solamente. Los resultados pueden variar bajo circunstancias reales. Esta información no libera al usuario del uso correcto y seguro del producto y todos los agentes limpiadores y su consideración al mantenimiento de limpieza general de la silla. Las instrucciones de limpieza y cuidado deben cumplirse junto con los protocolos de control de infecciones de la institución.

BRODA no aceptará reclamos de garantía o demandas de responsabilidad civil sobre sillas que no se hayan limpiado conforme a las instrucciones o que no se hayan cuidado con la atención apropiada a la seguridad e higiene del residente, el cuidador y los terceros. El uso de ciertos agentes puede dañar la apariencia de la superficie y la duración del vinilo. BRODA no asume responsabilidad alguna por el uso de estos agentes de limpieza en el vinilo.

Hay pintura disponible para dar retoques en el marco cubierto de polvo. Llame al departamento de Servicio al cliente de BRODA si requiere pintura para retoques. No deje las sillas BRODA a la intemperie ya que el marco no tiene protección contra rayos UV. Dejar las sillas a la intemperie puede ocasionar que la pintura se desprenda.

2.8 Mantenimiento

El mantenimiento de las sillas BRODA variará según la frecuencia de uso y la condición del residente que utilice la silla.

Con un uso regular, después de la inspección inicial y la prueba de funciones, la silla debe inspeccionarse y probarse bimestralmente. Recomendamos inspecciones visuales en busca de desgaste, daños, sujetadores sueltos o faltantes y otras cuestiones de seguridad. También es necesario realizar pruebas periódicas de las funciones de la silla. Si se detecta una rotura, defecto o problema operacional, la silla debe repararse correctamente, inspeccionarse y probarse en cuanto a su funcionamiento antes de utilizarla de nuevo.

La silla debe inspeccionarse y probarse con una frecuencia de cada uso si la silla se utiliza para:

- 1) Residentes agresivos o inquietos.
- 2) Residentes que tienen movimientos involuntarios.
- 3) Residentes con un peso de más de 220 libras.
- 4) En instalaciones con superficies disperejas o con pendientes.
- 5) Cualquier persona no autorizada.

No utilice lubricantes que contengan solventes. Los solventes pueden perjudicar los componentes de goma de la silla. De ser necesario, puede utilizar grasa o lubricantes de grado alimenticio en todos los componentes que se deslizan.

3 OPERACIÓN Y MOVIMIENTO

Las medidas de seguridad descritas en la Sección 1 deben respetarse cuando se opere o se mueva la silla. Solamente los cuidadores autorizados deben intentar operar o mover una silla. El cuidador debe usar mecánicas corporales apropiadas cuando opere la silla, y en ese momento debe estar preparado para soportar el peso del residente.

3.1 Inclinación del asiento - posterior y anterior

Es posible inclinar el asiento a cualquier posición desde la más vertical hasta la posición más alta o más baja en su rango. Ayuda al cuidador para cambiar la posición del cuerpo del residente para minimizar las caídas o que se deslicen hacia adelante y mejoran la comodidad del residente. La inclinación anterior ayuda a brindar un asiento seguro y ayuda para ponerse de pie.

Para activar la inclinación de la silla:

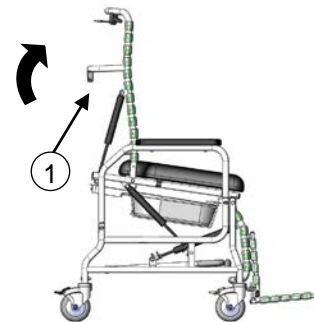
- Coloque la mano derecha en la barra para ayudar al movimiento y presione la manija de inclinación con su mano izquierda.

Levante o baje la inclinación de la silla hasta obtener el ángulo deseado.

Inclinación posterior



Inclinación anterior



3.2 Reclinación del respaldo

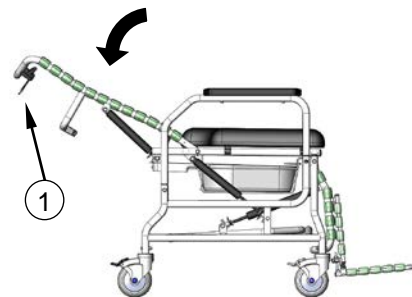
Es posible reclinarse el respaldo a cualquier posición desde la más vertical hasta la más baja dentro de su rango. Utilice la reclinación del asiento para colocar al residente, para ayudar a limpiar el área abdominal y con el lavado del cabello del residente.

ADVERTENCIA: Siempre incline un poco antes de reclinarse para evitar que el residente resbale.

Coloque la mano derecha en la barra de inclinación y presione la manija de inclinación con la mano izquierda.

Levante o baje el respaldo hasta obtener el ángulo requerido.

ADVERTENCIA: No utilice las manijas de inclinación y reclinación al mismo tiempo.



3.3 Para elevar el descansa piernas

Los cilindros de gas permiten que el descansa piernas se coloque en cualquier posición desde horizontal a vertical. El descansa piernas se eleva independientemente de la inclinación del respaldo.

Para ajustar el descansa piernas:

- Sujete el descansa piernas para ayudar al movimiento y presione la manija del descansa piernas.
- Levante o baje el descansa piernas al ángulo deseado.



3.4 Descansapiés abatible

El descansapiés abatible es removible y tiene una longitud ajustable.

Para instalar el descansapiés:

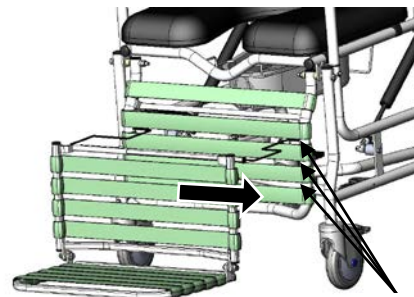
- Inserte el extremo derecho de la pieza transversal superior del descansapiés en el orificio deseado en el lado derecho del marco del descansa piernas.
- Inserte el extremo izquierdo de la pieza transversal superior del descansapiés en el orificio correspondiente en el lado izquierdo del marco del descansa piernas.

ADVERTENCIA: No intente ponerse de pie en las plataformas para los pies.

- Libere la tensión en el mecanismo del amortiguador.

Para quitar el descansapiés:

- Levante el descansa pues un poco para terminar el contacto entre las correas en el descansapiés y el descansa piernas.
- Presione el descansapiés a la derecha para activar el mecanismo del amortiguador y libere el lado izquierdo y derecho.



Incrementos de ajuste de longitud

3.5 Brazos abatibles y removibles

Los brazos abatibles y removibles permiten acceso lateral para facilitar transferencias seguras y fáciles.

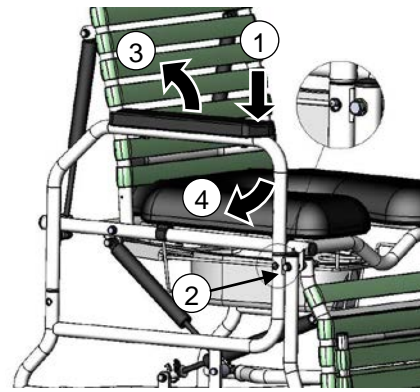
Para quitar los brazos:

- Empuje el frente del descansabrazos al mismo tiempo que presiona el botón en el panel lateral y permita que el descansabrazos salga.

- Mueva el panel lateral a un lado o quítelo por completo.

Para insertar los brazos:

- Inserte el extremo trasero del panel lateral en el receptáculo trasero.



3.6 Asiento removible del cómodo

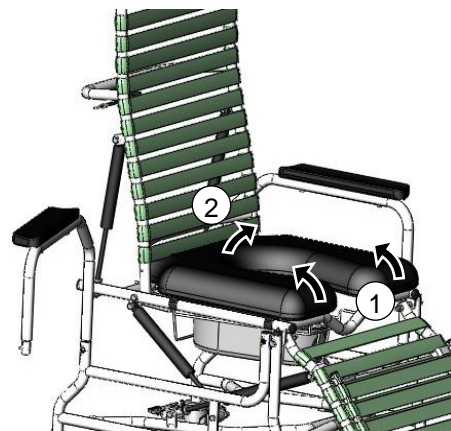
Para quitar el asiento del cómodo:

- Levante la parte delantera del asiento del cómodo para liberar los pasadores de la parte delantera del marco.

- Levante la parte trasera del asiento del cómodo para liberar los pasadores de la parte trasera del marco.

Para instalar el asiento del cómodo:

Coloque el asiento directamente sobre el marco de la silla, **asegurándose que todos los pasadores estén fijos en el marco.**



3.7 Receptor removible del cómodo

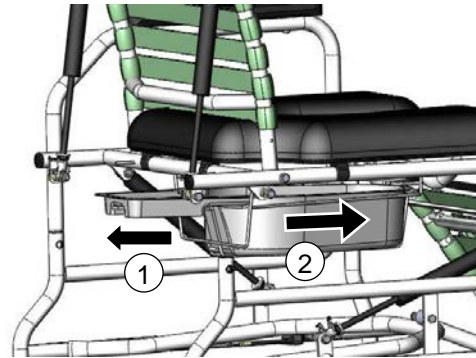
Es posible remover la charola y la canasta del cómodo para usar la silla sobre el inodoro.

Para remover el cómodo:

- Levante la charola para liberar los ganchos de la canasta del cómodo.
- Jale la canasta hacia la parte trasera de la silla.
- Levante la charola un poco al mismo tiempo que la mantiene nivelada, para liberar los ganchos de la canasta del cómodo.

Para insertar el cómodo:

- Inserte los ganchos delanteros de la charola en la canasta del cómodo.
- Empuje la charola hacia la parte delantera de la silla.
- Inserte los ganchos traseros de la charola del cómodo en la canasta para asegurarla en su sitio.



3.8 Canasta removible del cómodo

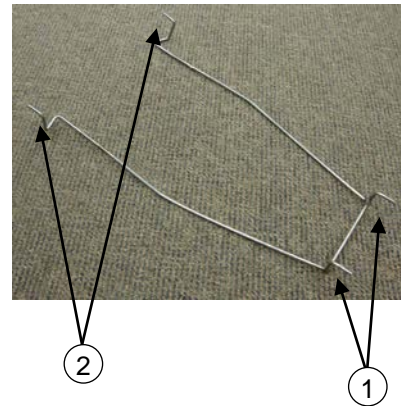
La canasta del cómodo mantiene el receptor del cómodo fijo en su sitio y es removible para su limpieza.

Para insertar la canasta del cómodo:

- De pie frente a la silla, inserte el extremo de la canasta con las patas pequeñas en los orificios en la parte delantera de la silla en el lado interior del marco. Cuando inserte la porción delantera de la canasta, asegúrese que la parte posterior de la canasta esté debajo de la pieza transversal en la parte trasera de la silla.
- Inserte la canasta en los orificios en el lado interior de la pieza transversal trasera. Necesitará jalar la canasta hacia abajo para doblarla un poco, para que quepa en los orificios.
- Cuando la canasta esté insertada en los orificios en la pieza transversal, libere la tensión en la canasta para fijarla en su sitio.

Para quitar la canasta del cómodo:

- De pie frente a la silla, saque la canasta de la pieza transversal trasera. Necesitará jalar la canasta hacia abajo para doblarla un poco y sacarla de los orificios en la pieza transversal. Saque la canasta desde la parte delantera de la silla.



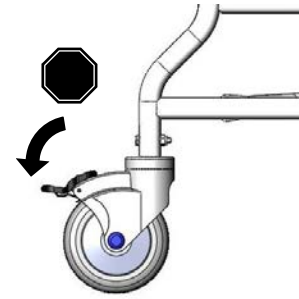
3.9 Ruedas

La silla CS 385 tiene tres ruedas inoxidable de bloqueo total de 5" y una rueda trasera direccional inoxidable que se puede bloquear (guía) de 5".

Para operar las ruedas:

Pise el pedal de activar/desactivar para bloquear/desbloquear las ruedas.

Asegúrese siempre de que los frenos no estén bloqueados cuando mueve la silla.



3.10 Cabecera

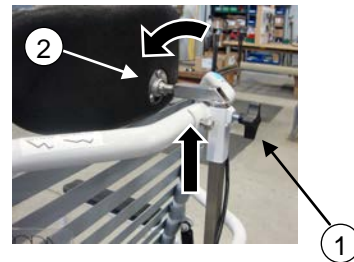
La cabecera acojinada CS 385 cuenta con altura y ángulo ajustables para recibir a varios usuarios.

Para ajustar la altura de la cabecera:

- Afloje la manija de la cabecera.
- Levante o baje la cabecera a la altura deseada para el usuario.
- Apriete la manija para fijar la cabecera en su sitio.

Para ajustar el ángulo de la cabecera:

- Utilice la llave Allen apropiada para aflojar los tornillos de la junta esférica.
- Ajuste la cabecera al ángulo deseado para el usuario.
- Apriete los tornillos de la junta esférica para fijar la cabecera en su sitio.



3.11 Accesorios (Opciones)

Recomendamos accesorios BRODA para uso exclusivamente en sillas BRODA. La instalación correcta de los accesorios BRODA es muy importante. Recomendamos que la silla BRODA se pida con los accesorios requeridos ya instalados. Solamente los cuidadores autorizados que entienden bien los procedimientos para la instalación de accesorios deben intentar instalar sus accesorios BRODA sin la ayuda de su representante BRODA local. BRODA no recomienda el uso de accesorios de otros fabricantes en las sillas BRODA.

4 INSPECCIÓN Y PRUEBAS DE FUNCIONES

Las medidas de seguridad descritas en la Sección 1 deben observarse al inspeccionar o probar una silla. Solamente los cuidadores o el personal de mantenimiento deben intentar inspeccionar o probar una silla.

4.1 Inspección

Recomendamos inspecciones visuales regulares en busca de desgaste, daños, conectores sueltos o faltantes y otras cuestiones de seguridad. Si se detecta una rotura, defecto o problema operacional, la silla debe repararse, inspeccionarse y probarse en cuanto a su funcionamiento antes de utilizarla de nuevo.

Recomendamos que la silla se inspeccione cada uso si existe cualquier motivo de preocupación sobre la posibilidad de mayor desgaste o conexiones flojas o faltantes. **Como mínimo, las sillas en uso regular deben inspeccionarse bimestralmente.** El procedimiento de inspección visual debe incluir al menos la revisión de todas las conexiones (sujetadores):

El procedimiento de inspección visual debe incluir al menos la revisión de las piezas siguientes:

- 1) Los cilindros que posicionan la inclinación del asiento, la reclinación del asiento y la elevación independiente del descansa piernas.
- 2) Las correas de vinilo usadas en el asiento, el respaldo, el descansa piernas y el descansapiés.
- 3) Las manijas traseras y los cables.
- 4) Los pasadores en el asiento del cómodo.

El procedimiento de inspección visual debe incluir la revisión de todos los accesorios instalados. La institución debe realizar la inspección visual, o si está en una residencia privada, la debe realizar el individuo responsable por la silla.

4.2 Pruebas funcionales

Recomendamos que la silla se pruebe en cuanto a la operación de las funciones de la silla sin un residente en la silla. Las pruebas pueden realizarse con cada uso si existe cualquier motivo de preocupación sobre la posibilidad de mayor desgaste o de daños en los componentes de la silla. Como mínimo, en uso regular la silla debe probarse en cuanto a sus funciones como se describe en la Sección 3.

Si el cuidador o el departamento de mantenimiento que realiza las pruebas funcionales considera que cualquiera de las funciones no opera correctamente, la silla debe retirarse de servicio hasta que se pueda completar una prueba funcional satisfactoria.

El cuidador o el departamento de mantenimiento que realiza las pruebas deben saber que la inclinación del asiento, la reclinación del asiento y la elevación del descansapiés (descansa piernas) será más difícil sin un residente en la silla.

Al realizar reparaciones o dar mantenimiento, no utilice lubricantes que contengan solventes. Los solventes dañarán muchos de los componentes móviles de la silla. De ser necesario, se puede emplear una grasa blanca, de grado alimenticio (lubricante) en los componentes que se deslizan de la silla. No utilice lubricantes en aerosol en ninguna parte de la silla.

5 INFORMACIÓN TÉCNICA

5.1 Especificaciones

Características estándar de la silla de cómodo/regadera CS 385.



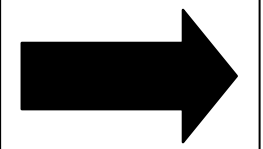
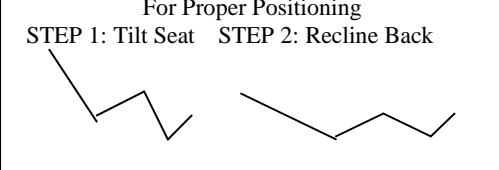
- | | |
|------------------------------|--|
| 1. Reclinación del respaldo: | Hasta 67° de reclinación de respaldo (ajuste infinito) |
| 2. Inclinación de la silla | Hasta 12° de inclinación posterior de silla (ajuste infinito)
Hasta 10° de inclinación anterior de silla (ajuste infinito) |
| 3. Marco: | Acero inoxidable calibre 16 con recubrimiento de pintura en polvo |
| 4. Superficie de la silla: | Asiento de cómodo removible acojinado con cubierta de espuma de uretano expansible en 4 direcciones

Comfort Tension Seating™ de BRODA en el respaldo, descansa piernas y descansapiés. Las correas son de 1.5" de ancho y .130" de grueso; contienen fungicida, retención de memoria de forma, y es de material antiinflamable. |
| 5. Brazos: | Abatibles y removibles |
| 6. Descansa piernas: | El descansa piernas se ajusta independientemente de la reclinación del respaldo
El descansa piernas se ajusta a cualquier ángulo entre la posición horizontal y vertical |
| 7. Descansapiés: | Descansapiés abatible, removible y ajustable |
| 8. Receptor del cómodo | Receptor de cómodo removible con manija de sujeción, canasta de cómodo removible |
| 9. Ruedas: | Tres ruedas inoxidables de bloqueo total de 5", una rueda inoxidable direccional (guía) que se puede bloquear de 5" |
| 10. Profundidad del asiento: | 18" |
| 11. Altura del asiento: | 24.5" |
| 12. Ancho del asiento: | 18", 22" |
| 13. Ancho total: | 24.5 (18" ancho del asiento), 28.5" (22" ancho del asiento) |
| 14. Capacidad de peso: | 400 libras |
| 15. Peso total: | Aproximadamente 85 libras con las características estándar |
| 16. Cabecera | La cabecera acojinada CS 385 cuenta con altura y ángulo ajustables para recibir a varios usuarios. |

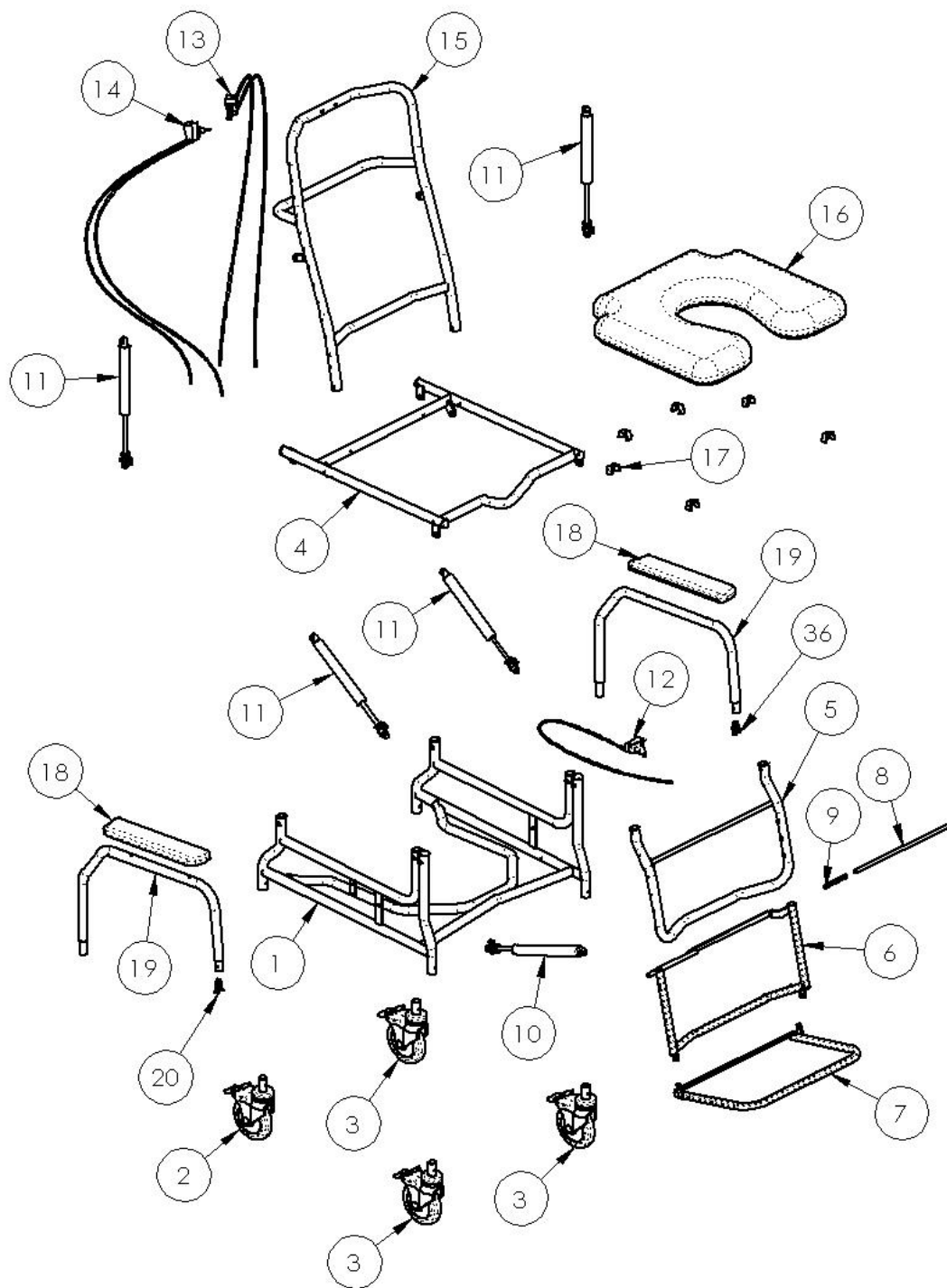
Todas las dimensiones son ± 0.5 ".

5.2 Etiquetas

BRODA utiliza ciertas etiquetas para ayudar a que los cuidadores identifiquen artículos que permiten la operación de las funciones de la silla.

<p style="text-align: center;">Etiqueta del fabricante (Blanco)</p> <div style="border: 1px solid black; padding: 10px; text-align: center;">  <p>MADE IN CANADA / FABRIQUE AU CANADA</p> <p>560 Bingemans Centre Drive, Kitchener, ON Canada, N2B 3X9 PHONE 1 – 519 746-8080 FAX 1-519-746-8616</p> </div>		<p style="text-align: center;">Etiqueta con número de serie (Gris)</p> <div style="border: 1px solid black; padding: 10px; text-align: center;">  <p>1-800-668-0637</p> <p>PRODUCT # SERIAL # MADE IN CANADA</p> </div>	
<p style="text-align: center;">Etiqueta de reclinación (azul)</p> <div style="border: 1px solid black; padding: 10px; text-align: center; background-color: #ADD8E6;"> <p>BACK RECLINE</p> <p>SQUEEZE HANDLE</p> </div>	<p style="text-align: center;">Etiqueta de inclinación (café claro)</p> <div style="border: 1px solid black; padding: 10px; text-align: center; background-color: #FFDAB9;"> <p>SEAT TILT</p> <p>SQUEEZE HANDLE</p> </div>	<p style="text-align: center;">Etiqueta descansapiés sujetar/quitar (blanco)</p> <div style="border: 1px solid black; padding: 10px; text-align: center;">  </div>	
<p style="text-align: center;">Etiqueta de inclinación y reclinación (blanca)</p> <div style="border: 1px solid black; padding: 10px; text-align: center;"> <p>For Proper Positioning</p> <p>STEP 1: Tilt Seat STEP 2: Recline Back</p>  </div>		<p style="text-align: center;">Etiqueta de descansabrazos removible (gris)</p> <div style="border: 1px solid black; padding: 10px; text-align: center;"> <p><u>TO REMOVE</u> <u>ARM</u></p> <p>PUSH DOWN ON ARM</p> <p>WHILE PUSHING BUTTON</p> </div>	
<p style="text-align: center;">Rueda Trasera Direccional</p> <div style="border: 1px solid black; padding: 10px; text-align: center; background-color: #90EE90;"> <p>TRACKING CASTER</p> </div>			

5.3 Esquema de las piezas del modelo CS 385 de BRODA Seating



Leyenda de las piezas del modelo CS 385 de BRODA Seating

#	Description	Part Number
1.	Base Frame CS385 (width)	BASE-CS385
2.	Caster 5 Stainless Steel Directional Lock	CASTER-5"DL-SS
3.	Caster 5 Total Lock Stainless Steel	CASTER-5"TL-SS
4.	Seat Frame CS385 V2 (width)	SEAT-CS385V2
5.	Legrest Frame for CS385(width) (color)	LGRT-CS385
6 & 7.	Footrest Frame Single CS385 (3 or 4 strap) (width) (color)	F-SINGLE-CS385
8.	Frame Foot Rod (width)	F-ROD
9.	Footrest Spring 3.25 Long	F-SPRING
10.	Cylinder gas spring 300N and Actuator w/lever	CYLSS-LOCK-KIT
11.	Cylinder gas spring 270N and Actuator w/lever	CYLSS-LOCK-KIT
12.	Cable and Handle Assembly (cable length 48)	CABLE-HAND
13.	Double Cable and Handle Assembly (cable length 32)	CABLE-HAND-DBL
14.	Double Cable and Handle Assembly (cable length 48)	CABLE-HAND-DBL
15.	Back Frame CS385 (width)	BACK-CS385
16.	Seat Commode Padded CS385 (size)	SEAT-PD-CS385
17.	Clips for Padded Seat	CLIP-PD
18.	Armrest Soft	AR
19.	Arm Top Frame CS385	ARM-TOP-CS385
20.	Spring for Armbottoms/wings	DETENT-PIN

Especificar ancho del asiento: 18", 22"

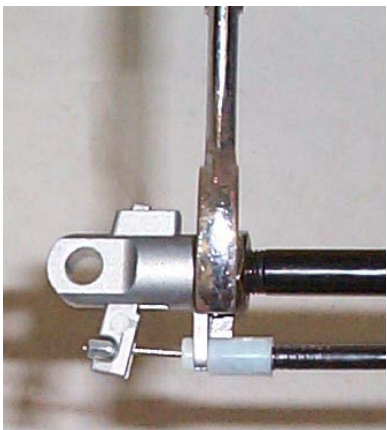
6 SOLUCIÓN DE PROBLEMAS COMUNES Y REPARACIONES

Tenga el número de serie de la silla a la mano cuando se comunique con BRODA o su representante de área local para solicitar piezas o ayuda para su silla. El número de serie se encuentra en una calcomanía gris en la parte trasera de la silla.

6.1 Solución de problemas para cilindros de gas

El uso de amortiguadores con carga de gas (cilindros) en los productos BRODA permite al cuidador hacer fácilmente ajustes a la inclinación, al reclinado y al descansa piernas con el mínimo esfuerzo. El cilindro de gas contiene nitrógeno, no es inflamable y no es tóxico. Los cilindros proporcionan una fuerza de empuje que corresponde al peso del ocupante por lo que reduce la cantidad de peso que debe levantar el cuidador.

Síntoma	Problema	Solución
La silla no se reclina ni inclina o el descansa piernas no se mueve cuando se presiona la manija	El pasador en el extremo del cilindro no se está presionando cuando se jala la manija.	Asegúrese que el cable esté conectado al accionador del cilindro. Si el cable está conectado, vea el Paso de ajuste a continuación.
La silla (inclinación, reclinación o descansa piernas) parece deslizarse lentamente fuera de su posición.	Es posible que el pasador en el extremo del cilindro esté parcialmente oprimido.	Vea los Pasos de ajuste a continuación:

Pasos de ajuste:	
<ul style="list-style-type: none"> - Afloje la tuerca que se encuentra en el vástago del cilindro de gas junto al accionador (llave de 17 mm o 11/16") - A partir de las instrucciones anteriores determine si quiere girar más el vástago en el accionador o sacar más el accionador. Gire más el vástago dentro del accionador si la silla no se inclina o reclina, (gire en dirección de las manecillas del reloj) y afloje más el accionador si la silla se desliza lentamente fuera de posición. (gire en dirección contraria a las manecillas del reloj) - Gire el vástago media vuelta en la dirección correcta. - Revise el funcionamiento del cilindro y repita el paso anterior hasta que el cilindro funcione correctamente. - Apriete la tuerca de seguridad aflojada en el primer paso. - Si el ajuste del cilindro no soluciona el problema, posiblemente se tenga que cambiar el cilindro. Comuníquese con BRODA o su representante local del área. 	 <p>Nota: No es necesario quitar el cilindro de la silla para hacer este ajuste.</p>

Nota: Cuando ajuste los cilindros con herramientas que tocan los vástagos del cilindro, debe usar un trapo u otro material protector para proteger la superficie de deslizamiento del vástago. Si el vástago se raya o se maltrata dañará el sello en el cilindro y el cilindro fallará.

Dañar el cilindro de esta forma invalida la garantía del fabricante.



7 GARANTÍA

BRODA SEATING **GARANTÍA**

BRODA ofrece una Garantía de tres años para el marco de la silla, y una Garantía de un año para todos los otros componentes sujeto a las condiciones siguientes:

No se otorga garantía alguna en los cojines del asiento o las cubiertas de tela.

Los marcos de las sillas están garantizados por tres años en contra de defectos o fallas estructurales. Todas las otras piezas (excepto los cojines de asientos y cubiertas de tela), entre las que se incluyen sin limitación, las correas, cojines, resortes de gas y conexiones, ruedas, llantas, frenos y descansabrazos están garantizados por un año en contra de defectos en materiales y mano de obra con base en el uso institucional normal. La garantía no cubre daños dolosos o deliberados o daños por uso inapropiado. La garantía no cubre el uso de las sillas BRODA en una regadera o alberca, con la excepción de la silla para cómodo/regadera de BRODA.

Modificaciones a los productos BRODA o el uso de piezas ajenas a BRODA invalida la garantía. Esta garantía no cubre daños por envío (véase a continuación).

BRODA proporcionará piezas nuevas o reacondicionadas para que el propietario las instale sin costo después de la confirmación del representante local de BRODA o el Representante de servicio al cliente de la Oficina principal de BRODA. Previa solicitud, las piezas defectuosas deben regresarse a la fábrica en los primeros 30 días después de que el propietario reciba las piezas de reemplazo. Si las piezas defectuosas no se regresan a BRODA previa solicitud, el propietario correrá con el costo de las piezas de reemplazo en factura de BRODA.

La garantía no incluye mano de obra en las instalaciones para la instalación de las piezas de garantía o reparaciones de garantía. El propietario puede regresar a BRODA los productos para reemplazo de garantía o reparación enviando los artículos con porte pagado y seguro a la fábrica. La garantía realizada en la fábrica incluye tanto materiales como mano de obra. La decisión para reparar o reemplazar las piezas es a entera discreción de BRODA. Todas las devoluciones a la fábrica requieren la autorización previa de BRODA.

BRODA se reserva el derecho a hacer cambios en diseño y aplicación sin previo aviso. Todos los pedidos se cumplirán con los modelos actuales de BRODA a menos que el comprador especifique lo contrario.

Las sillas de BRODA están diseñadas para la movilidad, el posicionamiento y la comodidad del paciente en sillas especializadas, sin embargo, la aplicación de los productos BRODA es responsabilidad del comprador o el usuario.

Esta garantía es intransferible.

DEVOLUCIONES

BRODA Seating no aceptará ninguna devolución sin el previo Número de autorización para productos devueltos. Comuníquese con nuestro Representante de servicio al cliente de las Oficinas principales al 1-800-668-0637 para obtener ayuda. Las devoluciones deben asegurarse cuando se envíen.

CARGA DAÑADA

NOTIFIQUE CUALQUIER DAÑO AL TRANSPORTISTA DE INMEDIATO

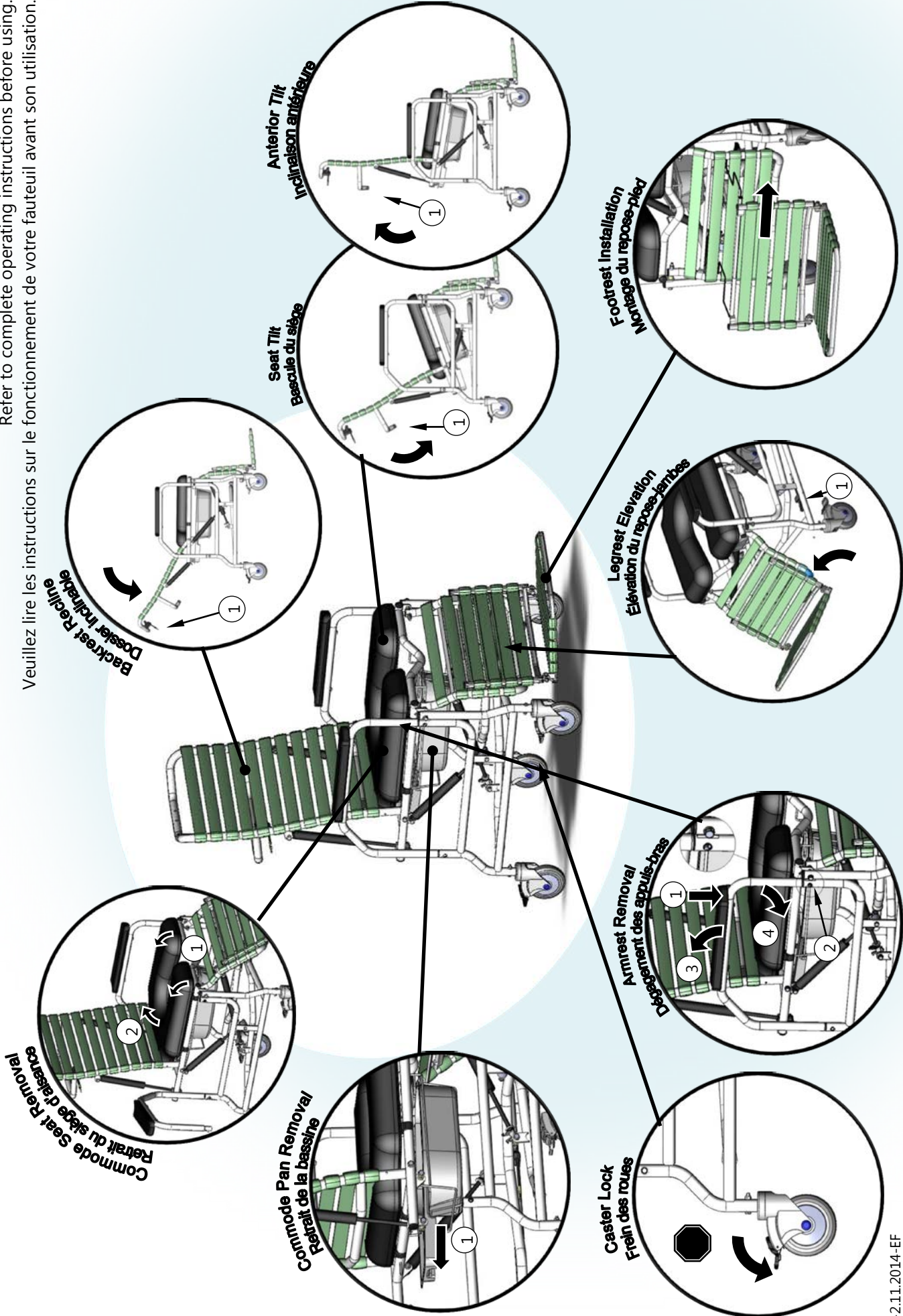
Es responsabilidad de la persona que recibe los productos examinar las cajas y los productos antes de acusar recibo. Anote todos los daños en la nota de embarque y presente una reclamación en caso de ser necesario. Notifique al transportista sobre todos los daños ocultos en las primeras 48 horas después de la recepción.

BRODA asegura todos los productos contra daños en tránsito, no notificar al transportista de los daños en tránsito invalida el seguro y la garantía de BRODA. Si requiere ayuda, comuníquese con nuestras Oficinas principales al 1-800-668-0637.

IMPUESTO DE VENTA

La mayoría de los productos de BRODA tienen tasa cero del impuesto GST y están exentos del impuesto de ventas de las provincias canadienses. Se le puede requerir al comprador que verifique con su oficina fiscal provincial o estatal para el pago del impuesto del comprador.

Refer to complete operating instructions before using.
 Veuillez lire les instructions sur le fonctionnement de votre fauteuil avant son utilisation.



Consultar el manual de instrucciones antes de usar.
Lesen Sie vor Inbetriebnahme die Bedienungsanleitung.

